



# 560 MANURE SPREADER

# PARTS BOOK



Revision #05  
560 Starting Serial #210086

HSMFG0312

Part #66904

Manufactured By  
**H&S MANUFACTURING CO., INC.**

P.O. BOX 768 (715) 387-3414 FAX (715) 384-5463  
MARSHFIELD, WISCONSIN 54449

# CONTENTS

|  |       |
|--|-------|
| Instructions for Ordering Parts .....  | 1     |
| Figure 1 - Tandem Axles .....          | 2-3   |
| Figure 2 - Optional Tandem Axles ..... | 4-5   |
| Figure 3 - Front Gate .....            | 6-7   |
| Figure 4 - Front Shield .....          | 8-9   |
| Figure 5 - Right Side Flare .....      | 10-11 |
| Figure 6 - Left Side Flare .....       | 12-13 |
| Figure 7 - Rear Shields .....          | 14-15 |
| Figure 8 - Beater Drive Train .....    | 16-19 |
| Figure 9 - Beater Drive .....          | 20-21 |
| Figure 10 - Top Beater .....           | 22-23 |
| Figure 11 - Bottom Beater .....        | 24-25 |
| Figure 12 - End Gate .....             | 26-27 |
| Figure 13 - Hydraulics .....           | 28-31 |
| Figure 14 - Apron Gearbox .....        | 32-33 |
| Figure 15 - Apron Chain .....          | 34-35 |
| Figure 16 - Electric Control .....     | 36-37 |
| Figure 17 - Hydraulic Cylinder .....   | 38-39 |
| Figure 18 - Optional Pan .....         | 40-41 |
| Figure 19 - Bevel Gearbox .....        | 42-43 |
| Figure 20 - Lights .....               | 44-45 |
| Figure 21 - PTO .....                  | 46    |
| Figure 22 - PTO (Optional) .....       | 47    |
| Parts Notes .....                      | 48-49 |

# **INSTRUCTIONS FOR ORDERING PARTS**

All service parts should be ordered through your authorized H&S dealer. He will be able to give you faster service if you will provide them with the following:

1. Model & Serial Number - Both can be located on the side of the center bearing post above jack mount.
2. All references to left or right apply to the machine as viewed from the rear.
3. Parts should not be ordered from illustration only. Please order complete part number.
4. If your dealer has to order parts - give shipping instructions:

VIA truck - large pieces (please specify local truck lines)

VIA United Parcel Service (include full address)

|                              |                      |
|------------------------------|----------------------|
| <b>H&amp;S MFG. CO. INC.</b> |                      |
| <b>MARSHFIELD, WIS.</b>      |                      |
| <b>MOD. NO.</b>              | <input type="text"/> |
| <b>SER. NO.</b>              | <input type="text"/> |
| <b>DESCR.</b>                | <input type="text"/> |

PLEASE RECORD NUMBERS FOR YOUR UNIT FOR QUICK REFERENCE

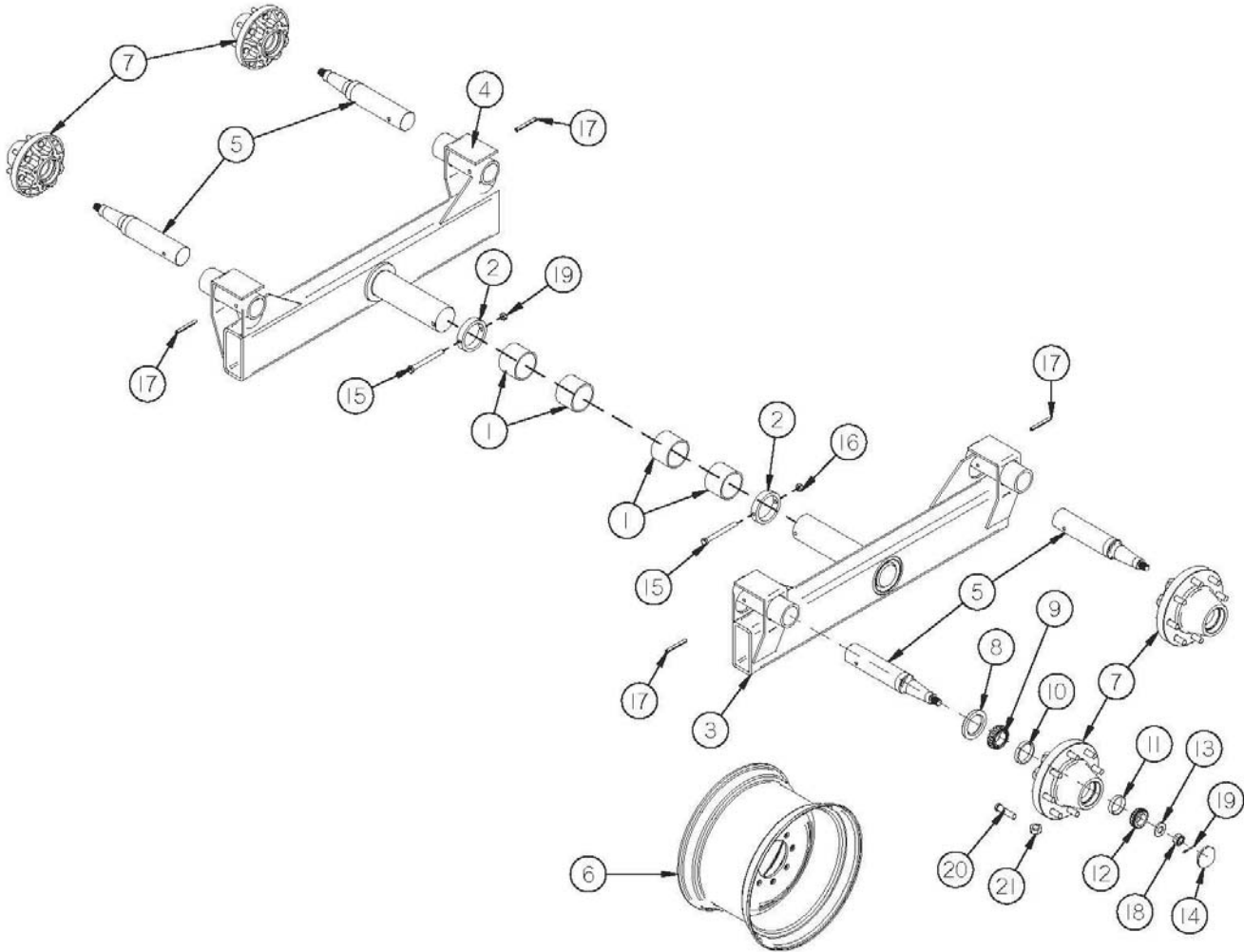
## **ABOUT IMPROVEMENTS**

H&S IS CONTINUALLY STRIVING TO IMPROVE IT'S PRODUCTS

We must therefore, reserve the right to make improvements or changes whenever it becomes practical to do so, without incurring any obligation to make changes or additions to the equipment previously sold.

# FIGURE 1

## TANDEM AXLES



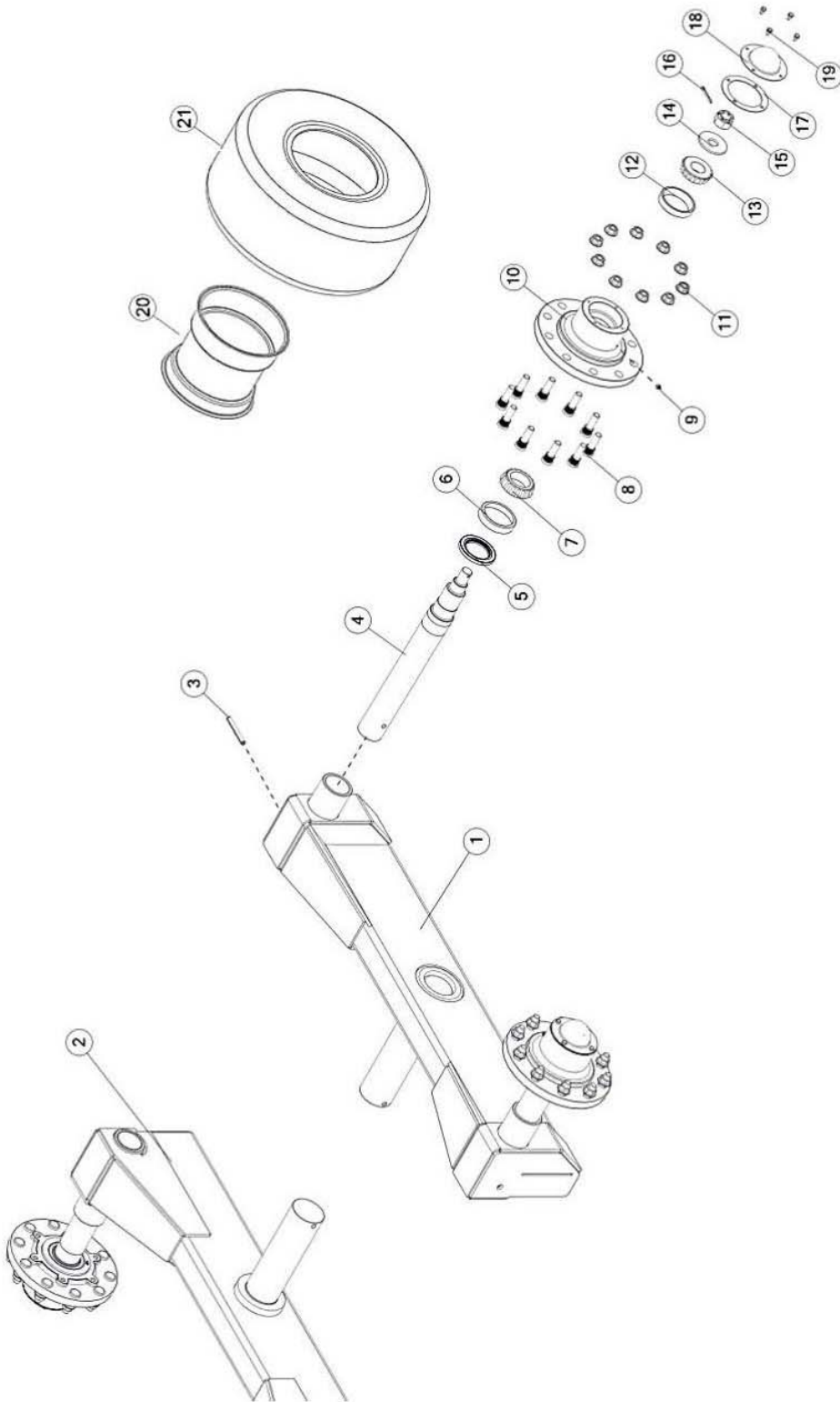
# FIGURE 1

## TANDEM AXLES

| <u>ITEM</u> | <u>QTY</u> | <u>PART #</u> | <u>DESCRIPTION</u>                              |
|-------------|------------|---------------|---|
| 1           | 4          | 16SV75        | BUSHING FOR TANDEM AXLE                         |
| 2           | 2          | 16SV214       | COLLAR FOR AXLE                                 |
| 3           | 1          | 56N157        | TANDEM AXLE LEFT                                |
| 4           | 1          | 56N158        | TANDEM AXLE RIGHT                               |
| 5           | 4          | 57186         | SPINDLE   |
| 6           | 4          | 16SV89        | WHEEL 13.5 X 22.5                               |
| *           | 4          | 16SV88        | TIRE (425 X 22.5 TRUCK)                         |
| 7           | 4          | RG275         | HUB (COMPLETE)                                  |
| 8           | 4          | 33SV42        | SEAL  |
| 9           | 4          | 33SV43        | INNER BEARING                                   |
| 10          | 4          | 33SV44        | INNER RACE                                      |
| 11          | 4          | 17G149        | OUTER RACE                                      |
| 12          | 4          | 17G150        | OUTER BEARING                                   |
| 13          | 4          | 33SV95        | WASHER  |
| 14          | 4          | RG171         | HUB CAP   |
| 15          | 2          | YBHH16165     | BOLT, 1/2 X 6 GR. 5                             |
| 16          | 2          | YNTL16005     | HEX NUT, TOP LOCK, 1/2-13                       |
| 17          | 4          | YPEX16020     | EXPANSION PIN, 1/2 X 4"                         |
| 18          | 4          | YNSL32005     | HEX HUT, SLOTTED, 1"-14                         |
| 19          | 4          | YPCT07005     | COTTER PIN, 7/32" X 2 "                         |
| 20          | 32         | YBSD20010     | STUD BOLT, 5/8"-18 UNF X 2-1/2" (7/8" SHOULDER) |
| 21          | 32         | YNWL20005     | WHEEL NUT, 5/8"-18 UNF                          |

**NOTE: \* MEANS NOT SHOWN**

**FIGURE 2**  
**(OPTIONAL ) TANDEM AXLES**



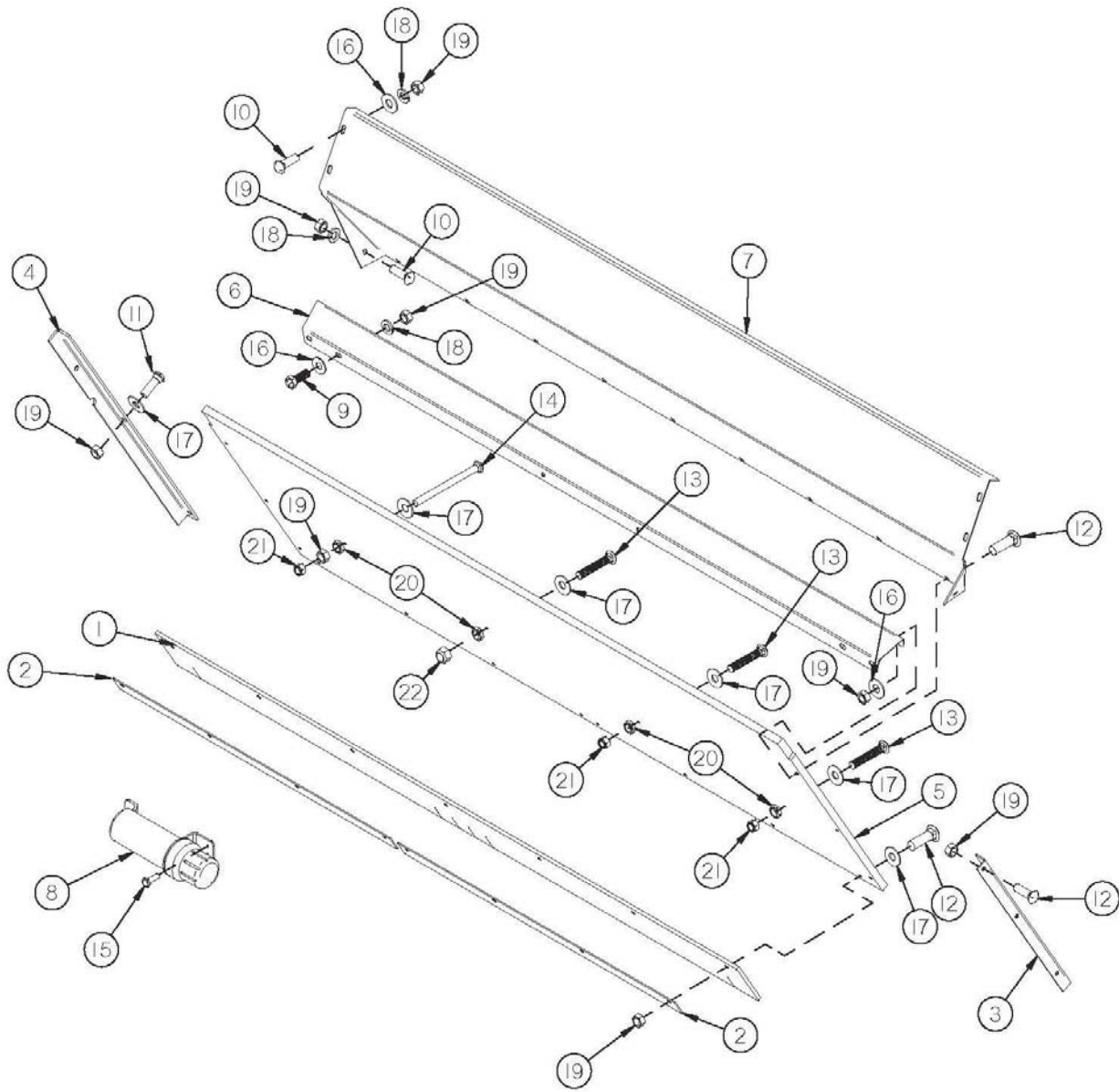
## FIGURE 2

### (OPTIONAL) TANDEM AXLES

| <u>ITEM</u> | <u>QTY</u> | <u>PART #</u> | <u>DESCRIPTION</u>                          |
|-------------|------------|---------------|---|
| 1           | 1          | 59595         | TANDEM AXLE LEFT                            |
| 2           | 1          | 59596         | TANDEM AXLE RIGHT                           |
| 3           | 4          | YPEX16020     | EXPANSION PIN, 1/2" X 4"                    |
| 4           | 4          | FBC31         | TANDEM SPINDLE                              |
| 5           | 4          | 60N5          | SEAL—600 BUSHEL                             |
| 6           | 4          | 60N6          | INNER RACE—600 BUSHEL                       |
| 7           | 4          | 60N7          | INNER BEARING—600 BUSHEL                    |
| 8           | 40         | YBSD24010     | STUD BOLT, 3/4-16UNF X 2-3/4 (3/4 SHOULDER) |
| 9           | 4          | BFR28         | 1/8" NPT GREASE ZERK                        |
| 10          | 4          | 60N8          | 871 CAST HUB W/RACES ONLY , 10 BOLT         |
| 11          | 40         | 60N14         | HEX FLANGE NUT, 3/4-16 UNF-28, GR 8         |
| 12          | 4          | 60N10         | OUTER RACE—600 BUSHEL                       |
| 13          | 4          | 60N9          | OUTER BEARING—600 BUSHEL                    |
| 14          | 4          | 60N2          | SPINDLE WASHER                              |
| 15          | 4          | YNCA36005     | HEX NUT, CASTLE, 1-1/4"-12                  |
| 16          | 4          | YPCT07005     | COTTER PIN, 7/32 X 2                        |
| 17          | 4          | 56234         | HUB CAP GASKET                              |
| 18          | 4          | 60N11         | HUB CAP—600 BUSHEL                          |
| 19          | 16         | YBHH10020     | BOLT, 5/16 X 1/2 GR 5                       |
| 20          | 4          | 66777         | WHEEL 22.5 X 20                             |
| 21          | 4          | FBC36         | 600/50-22.5 TIRE                            |
| *           | 4          | 59918         | TIRE, 600/50R22.5, ON 22.5X20, 10 BOLT      |

**\*MEANS NOT SHOWN**

# **FIGURE 3** **FRONT GATE**





## FIGURE 3

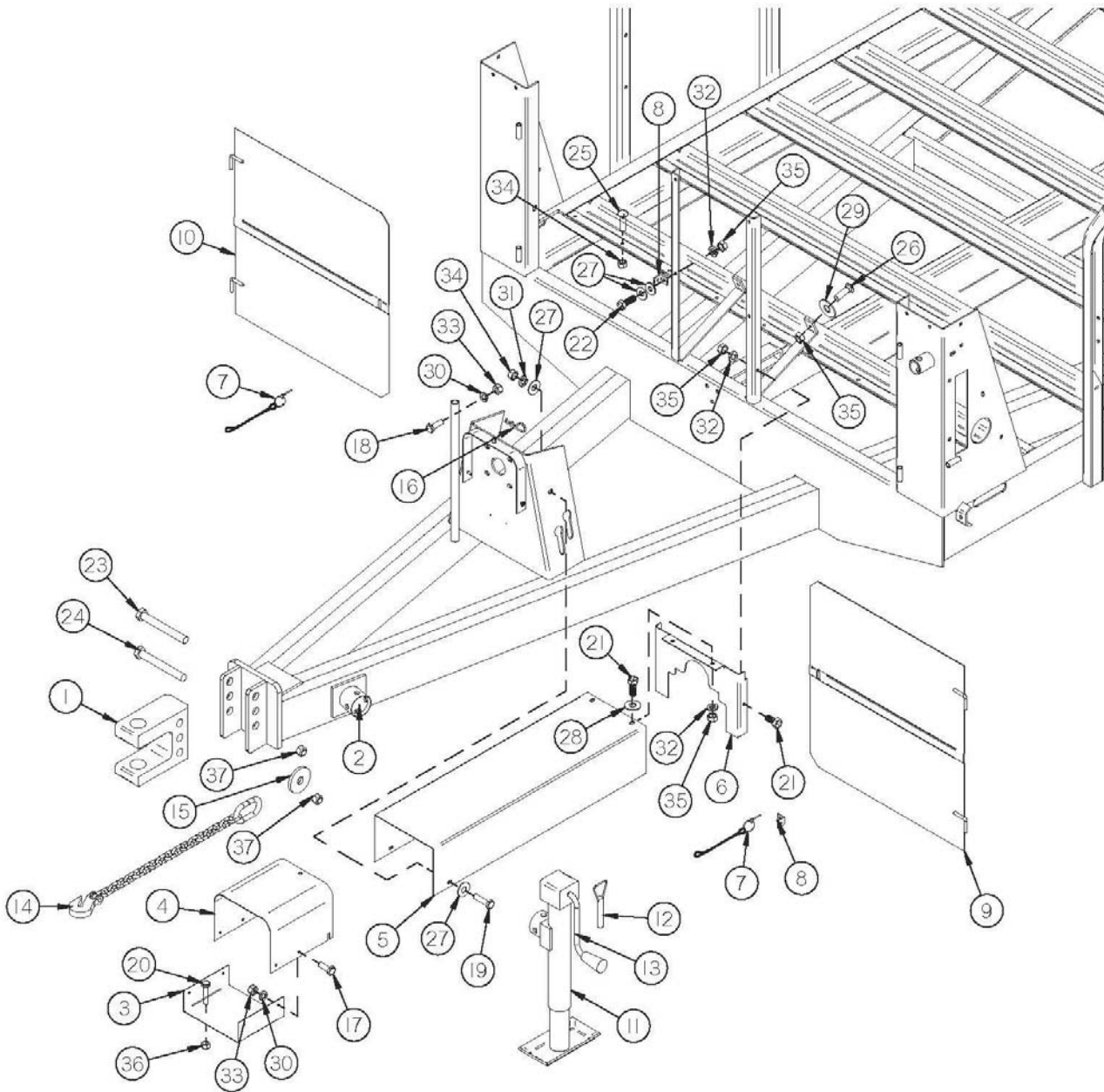
### FRONT GATE

| <u>ITEM</u> | <u>QTY</u> | <u>PART #</u> | <u>DESCRIPTION</u>                  |
|-------------|------------|---------------|-------------------------------------|
| 1           | 1          | 56N16         | FRONT RUBBER                        |
| 2           | 1          | 50N51         | FRONT PANEL STRAP                   |
| 3           | 1          | 56N17         | PLYWOOD ANGLE LEFT                  |
| 4           | 1          | 56N18         | PLYWOOD ANGLE RIGHT                 |
| 5           | 1          | 56N19         | FRONT GATE                          |
| *           | 1          | 56N135        | FIBERGLASS REINFORCED PLYWOOD LEFT  |
| *           | 1          | 56N136        | FIBERGLASS REINFORCED PLYWOOD RIGHT |
| *           | 1          | 56N137        | POLY FLOOR                          |
| 6           | 1          | 56N20         | FRONT END BRACE                     |
| 7           | 1          | 56N21         | FRONT FLARE                         |
| 8           | 1          | S522          | MANUAL HOLDER                       |
| 9           | 6          | YBHH12010     | BOLT, 3/8" X 1" GR. 5               |
| 10          | 6          | YBCR12065     | CARR. BOLT, 3/8" X 3/4" GR. 5       |
| 11          | 6          | YBCR12020     | CARR. BOLT, 3/8" X 1-1/4" GR. 5     |
| 12          | 23         | YBCR12015     | CARR. BOLT, 3/8" X 1-1/2" GR. 5     |
| 13          | 3          | YBCR12035     | CARR. BOLT, 3/8" X 2" GR. 5         |
| 14          | 1          | YBCR12080     | CARR. BOLT, 3/8" X 3-1/4" GR. 5     |
| 15          | 3          | YSDR08005     | #14-14 X 1 HX WSHR TEK STL ZNC      |
| 16          | 19         | YWFL12005     | WASHER, FLAT, 3/8" USS              |
| 17          | 18         | YWFL16005     | WASHER, FLAT, 1/2" USS              |
| 18          | 12         | YWLO12005     | WASHER, LOCK, 3/8 USS               |
| 19          | 42         | YNHX12005     | HEX NUT, 3/8" - 16                  |
| 20          | 4          | YNJM12005     | HEX NUT, JAM, 3/8" - 16             |
| 21          | 4          | YNNY12005     | HEX NUT, NYLON LOCKNUT, 3/8"        |
| 22          | 1          | YNTL12005     | HEX NUT, TOP LOCK, 3/8" - 16        |

**NOTE: \* MEANS NOT SHOWN**

# FIGURE 4

## FRONT SHIELDS



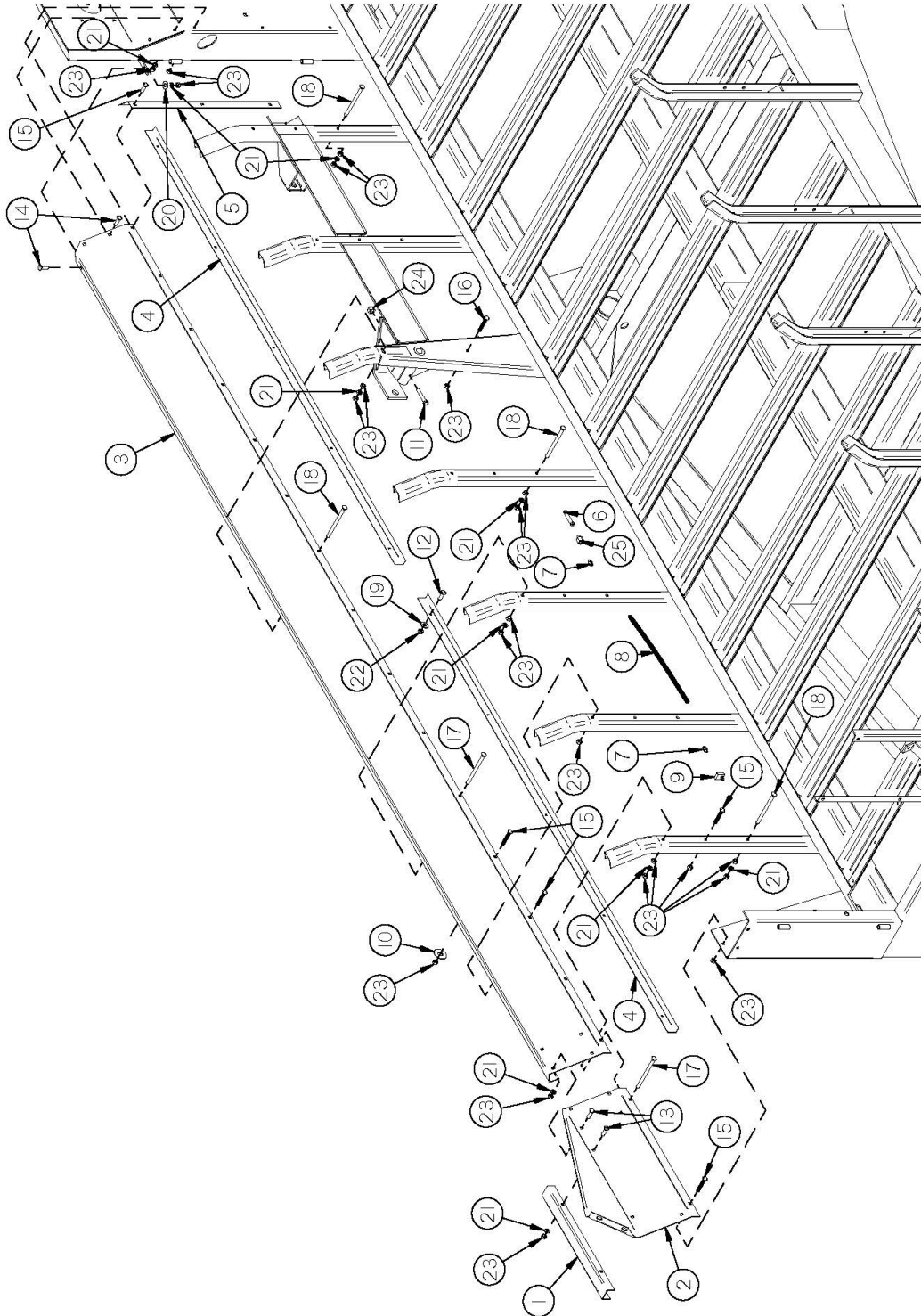
# FIGURE 4

## FRONT SHIELD

| <u>ITEM</u> | <u>QTY</u> | <u>PART #</u> | <u>DESCRIPTION</u>              |
|-------------|------------|---------------|---------------------------------|
| 1           | 1          | 56N1          | HITCH                           |
| *           | 1          | 56N189        | HITCH - SMALL HOLE (OPTIONAL)   |
| 2           | 1          | 56N2          | JACK MOUNT                      |
| 3           | 1          | 16SV327       | PTO SHIELD BOTTOM               |
| 4           | 1          | 16SV329       | PTO SHIELD                      |
| 5           | 1          | 56N3          | JACK SHAFT SHIELD               |
| 6           | 1          | 56N4          | INPUT SHIELD MOUNT              |
| 7           | 2          | S122          | CLIP PIN W/ LANYARD             |
| 8           | 2          | 56N146        | SHIELD ANGLE                    |
| 9           | 1          | 56N5          | FRONT SHIELD LEFT               |
| 10          | 1          | 56N6          | FRONT SHIELD RIGHT              |
| 11          | 1          | TS306         | JACK                            |
| 12          | 1          | 56N8          | JACK PIN & CHAIN                |
| 13          | 1          | 56N9          | JACK HANDLE                     |
| 14          | 1          | WM367         | SAFETY CHAIN (OPTIONAL)         |
| 15          | 1          | 56N179        | SAFETY CHAIN SPACER             |
| 16          | 1          | YPHR02005     | HAIR PIN (X97)                  |
| 17          | 4          | YBHH08015     | BOLT, 1/4" X 1/2" GR. 5         |
| 18          | 2          | YBHH08100     | BOLT, 1/4" X 3/4" GR. 5         |
| 19          | 2          | YBHH10010     | BOLT, 5/16" X 1" GR. 5          |
| 20          | 4          | YBHH10030     | BOLT, 5/16" X 1-1/2" GR. 5      |
| 21          | 4          | YBHH12135     | BOLT, 3/8" X 3/4" GR. 5         |
| 22          | 2          | YBHH12010     | BOLT, 3/8" X 1" GR. 5           |
| 23          | 1          | YBHH32027     | BOLT, 1" X 6-1/2" GR. 5         |
| 24          | 1          | YBHH32033     | BOLT, 1" X 7-1/2" GR. 5         |
| 25          | 10         | YBCR10010     | CARR. BOLT, 5/16" X 1" GR. 5    |
| 26          | 2          | YBCR12015     | CARR. BOLT, 3/8" X 1-1/2" GR. 5 |
| 27          | 8          | YWFL10005     | WASHER, FLAT, 5/16" USS         |
| 28          | 2          | YWFL12005     | WASHER, FLAT, 3/8" USS          |
| 29          | 2          | YWFL16005     | WASHER, FLAT, 1/2" USS          |
| 30          | 6          | YWLO08005     | WASHER, LOCK, 1/4"              |
| 31          | 2          | YWLO10005     | WASHER, LOCK, 5/16"             |
| 32          | 6          | YWLO12005     | WASHER, LOCK, 3/8" USS          |
| 33          | 6          | YNHX08005     | HEX NUT, 1/4"                   |
| 34          | 12         | YNHX10005     | HEX NUT, 5/16"                  |
| 35          | 8          | YNHX12005     | HEX NUT, 3/8" - 16              |
| 36          | 4          | YNL10005      | HEX NUT, TOP LOCK, 5/16" - 18   |
| 37          | 2          | YNL32005      | HEX NUT, TOP LOCK, 1" - 8       |

**NOTE: \* MEANS NOT SHOWN**

**FIGURE 5**  
**RIGHT SIDE FLARE**

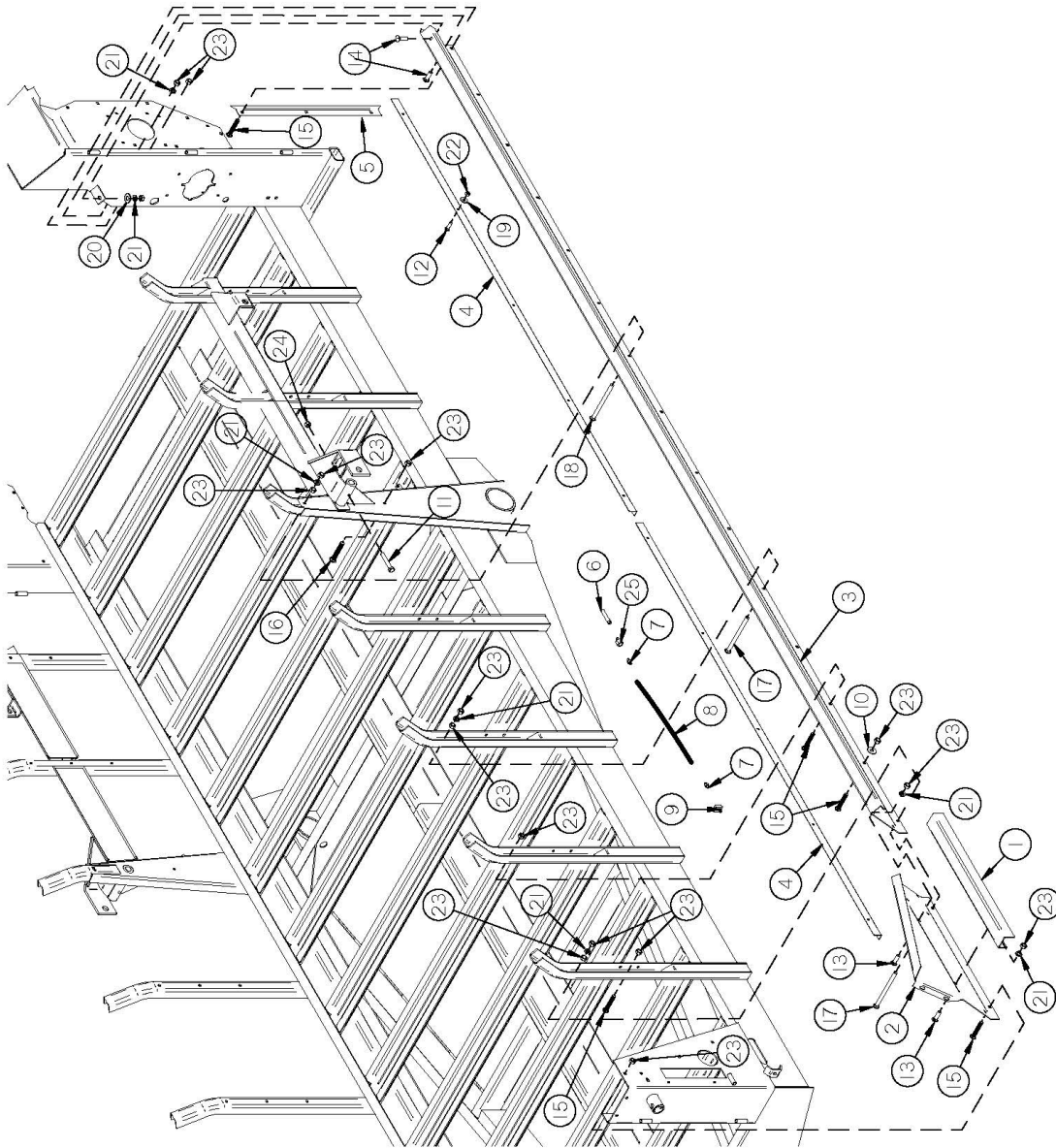


# FIGURE 5

## RIGHT SIDE FLARE

| <u>ITEM</u> | <u>QTY</u> | <u>PART #</u> | <u>DESCRIPTION</u>   |
|-------------|------------|---------------|--|
| 1           | 1          | 56N10         | FLARE EXTENSION  |
| 2           | 1          | 56N12         | SIDE FLARE EXTENSION RIGHT                                 |
| 3           | 1          | 56N14         | SIDE FLARE RIGHT   |
| 4           | 2          | 56N15         | GALVANIZED ANGLE   |
| 5           | 1          | 56N29         | SIDE POLY HOLDER RIGHT                                     |
| 6           | 1          | 66077         | NIPPLE, 1/8" MALE PIPE X 2-1/2"                            |
| 7           | 2          | S47           | GREASE FITTING   |
| 8           | 1          | 56N138        | GREASE LINE  |
| 9           | 1          | 16V9          | GREASE BRACKET   |
| 10          | 7          | YWCU12005     | WASHER, CUSTOM, FLAT, .435" ID. X 1-7/8" OD. X .125 THICK, |
| 11          | 1          | YBHH12105     | BOLT, 3/8" X 2-1/4" GR. 5 FULL THREAD                      |
| 12          | 9          | YBCR08005     | CARR. BOLT, 1/4" X 1"                                      |
| 13          | 6          | YBCR12065     | CARR. BOLT, 3/8" X 3/4" GR. 5                              |
| 14          | 3          | YBCR12010     | CARR. BOLT, 3/8" X 1" GR. 5                                |
| 15          | 22         | YBCR12015     | CARR. BOLT, 3/8" X 1-1/2" GR. 5                            |
| 16          | 1          | YBCR12080     | CARR. BOLT, 3/8" X 3-1/4" GR. 5                            |
| 17          | 2          | YBCR12095     | CARR. BOLT, 3/8" X 4" GR. 5                                |
| 18          | 4          | YBCR12105     | CARR. BOLT, 3/8" X 4-1/2" GR. 5 FULL THREAD                |
| 19          | 10         | YWFL08005     | WASHER, FLAT, 1/4" USS                                     |
| 20          | 1          | YWFL12005     | WASHER, FLAT, 3/8" USS                                     |
| 21          | 15         | YWLO12005     | WASHER, LOCK, 3/8" USS                                     |
| 22          | 10         | YNHX08005     | HEX NUT, 1/4"  |
| 23          | 44         | YNHX12005     | HEX NUT, 3/8"- 16  |
| 24          | 1          | YNTL12005     | HEX NUT, TOP LOCK, 3/8"- 16                                |
| 25          | 1          | 66079         | HEX ADAPTER, 1/4" FEMALE & 1/8" FEMALE PIPE                |

**FIGURE 6**  
**LEFT SIDE FLARE**



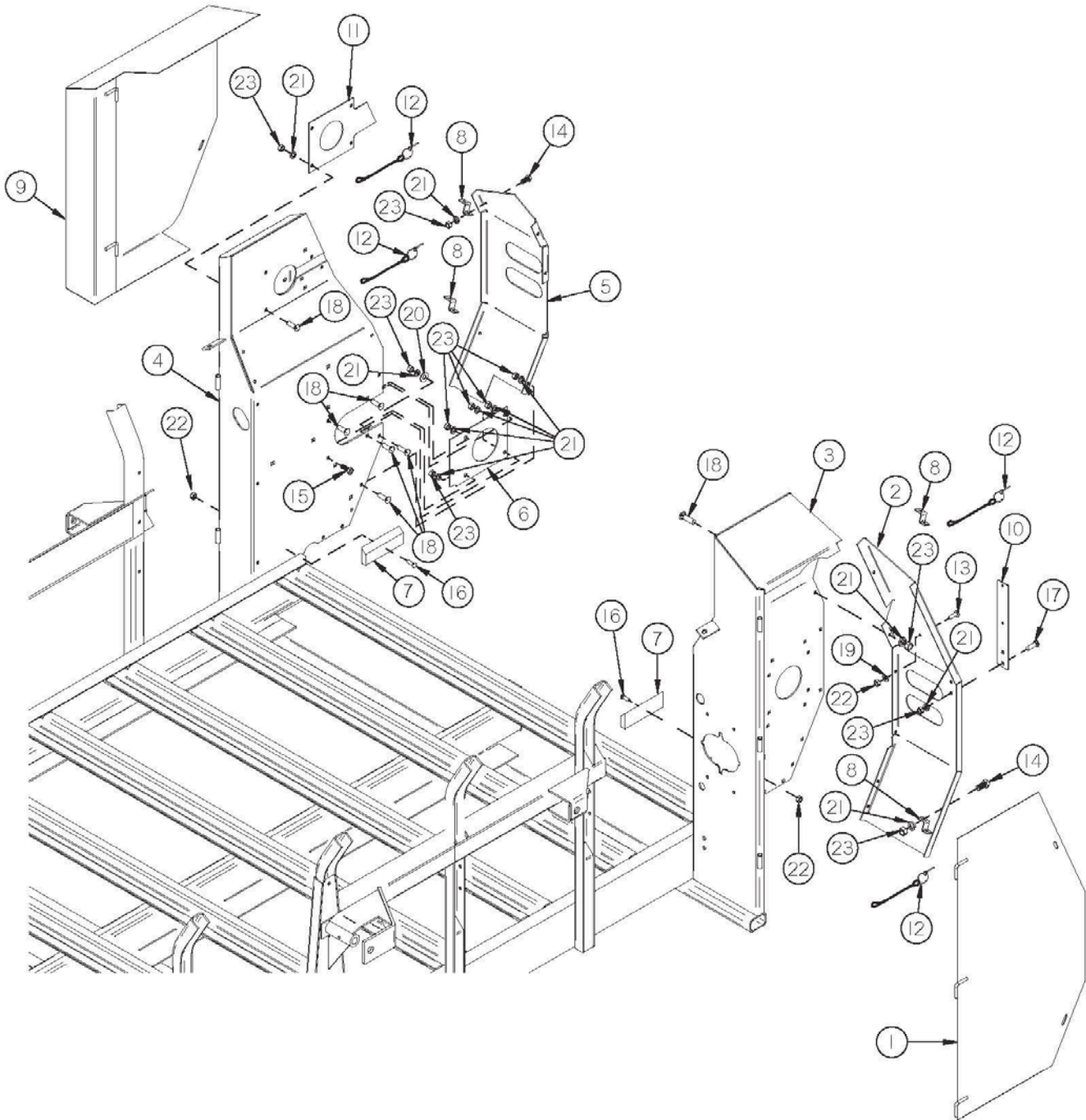
## FIGURE 6

### LEFT SIDE FLARE

| <u>ITEM</u> | <u>QTY</u> | <u>PART #</u> | <u>DESCRIPTION</u>  |
|-------------|------------|---------------|---|
| 1           | 1          | 56N10         | FLARE EXTENSION   |
| 2           | 1          | 56N11         | SIDE FLARE EXTENSION LEFT                                 |
| 3           | 1          | 56N13         | SIDE FLARE LEFT   |
| 4           | 2          | 56N15         | GALVANIZED ANGLE  |
| 5           | 1          | 56N28         | SIDE POLY HOLDER LEFT                                     |
| 6           | 1          | 66077         | NIPPLE, 1/8" MALE PIPE X 2-1/2"                           |
| 7           | 2          | S47           | GREASE FITTING  |
| 8           | 1          | 56N138        | GREASE LINE   |
| 9           | 1          | 16V9          | GREASE BRACKET  |
| 10          | 7          | YWCU12005     | WASHER, CUSTOM, FLAT, .435" ID. X 1-7/8" OD. X .125 THICK |
| 11          | 1          | YBHH12105     | BOLT, 3/8" X 2-1/4" GR. 5 FULL THREAD                     |
| 12          | 9          | YBCR08005     | CARR. BOLT, 1/4" X 1"                                     |
| 13          | 6          | YBCR12065     | CARR. BOLT, 3/8" X 3/4" GR. 5                             |
| 14          | 3          | YBCR12010     | CARR. BOLT, 3/8" X 1" GR. 5                               |
| 15          | 25         | YBCR12015     | CARR. BOLT, 3/8" X 1-1/2" GR. 5                           |
| 16          | 1          | YBCR12080     | CARR. BOLT, 3/8" X 3-1/4" GR. 5                           |
| 17          | 2          | YBCR12095     | CARR. BOLT, 3/8" X 4" GR. 5                               |
| 18          | 1          | YBCR12105     | CARR. BOLT, 3/8" X 4-1/2" GR. 5 FULL THREAD               |
| 19          | 10         | YWFL08005     | WASHER, FLAT, 1/4" USS                                    |
| 20          | 1          | YWFL12005     | WASHER, FLAT, 3/8" USS                                    |
| 21          | 12         | YWLO12005     | WASHER, LOCK, 3/8" USS                                    |
| 22          | 10         | YNHX08005     | HEX NUT, 1/4"   |
| 23          | 41         | YNHX12005     | HEX NUT, 3/8"-16  |
| 24          | 1          | YNTL12005     | HEX NUT, TOP LOCK, 3/8"-16                                |
| 25          | 1          | 66079         | HEX ADAPTER, 1/4" FEMALE & 1/8" FEMALE PIPE               |

# FIGURE 7

## REAR SHIELDS



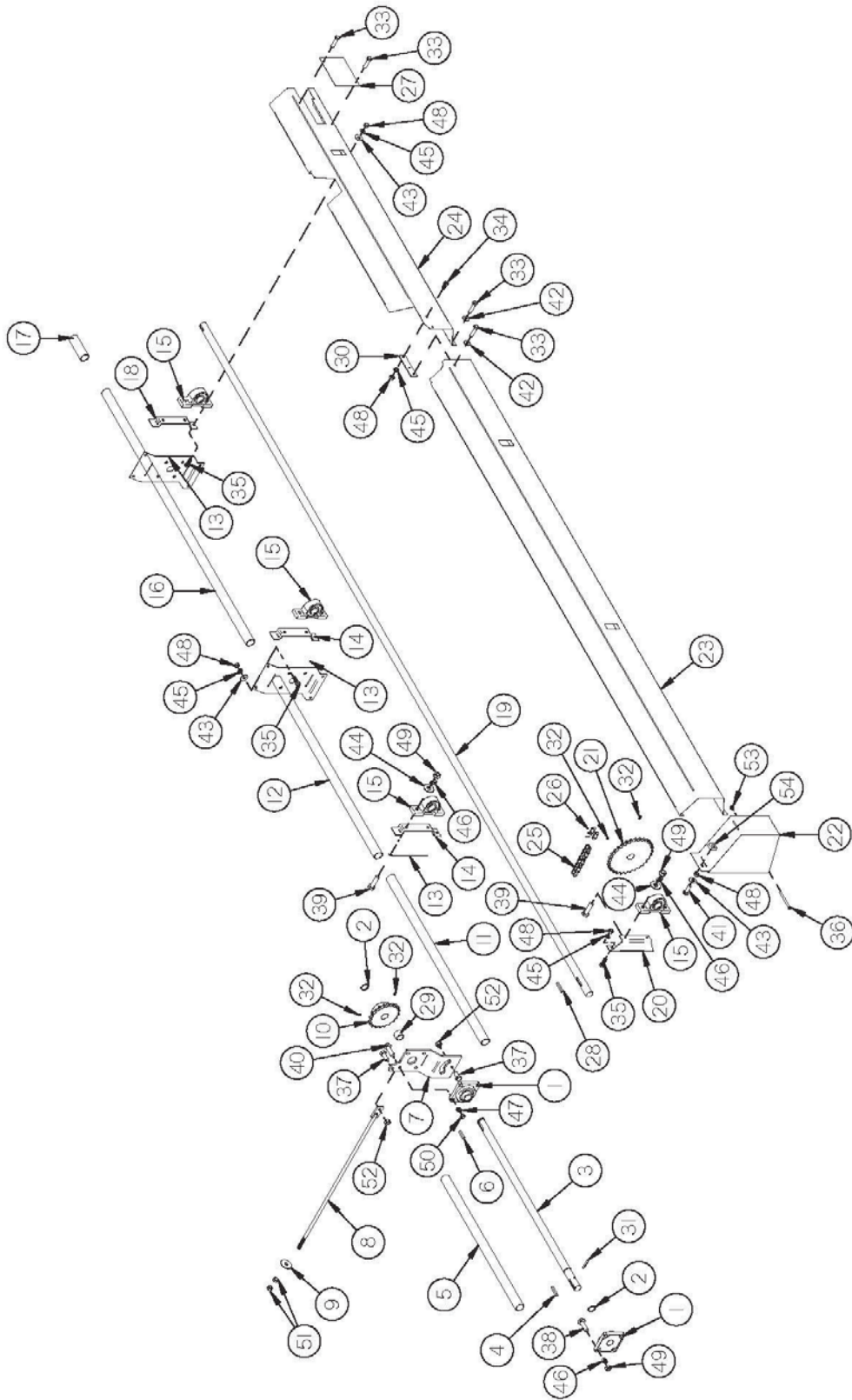


# FIGURE 7

## REAR SHIELDS

| <u>ITEM</u> | <u>QTY</u> | <u>PART #</u> | <u>DESCRIPTION</u>            |
|-------------|------------|---------------|-------------------------------|
| 1           | 1          | 56N25         | REAR SHIELD                   |
| 2           | 1          | 56N161        | LEFT MAIN PANEL END           |
| 3           | 1          | 56N27         | MAIN PANEL LEFT               |
| 4           | 1          | 56N30         | MAIN PANEL RIGHT              |
| 5           | 1          | 56N162        | RIGHT MAIN PANEL END          |
| 6           | 1          | 56N32         | BEARING PLATE                 |
| 7           | 2          | 56N33         | PLYWOOD BLOCK                 |
| 8           | 4          | F69           | SHIELD BRACKET                |
| 9           | 1          | 56N34         | APRON SHIELD                  |
| 10          | 1          | 56N159        | SMV BRACKET                   |
| 11          | 1          | 56N176        | SLOT COVER                    |
| 12          | 4          | S122          | CLIP PIN W/ LANYARD           |
| 13          | 1          | YBHH08100     | BOLT, 1/4" X 3/4" GR. 5       |
| 14          | 4          | YBHH12135     | BOLT, 3/8" X 3/4" GR. 5       |
| 15          | 1          | YBHH12010     | BOLT, 3/8" X 1" GR. 5         |
| 16          | 2          | YBCR08010     | CARR. BOLT 1/4" X 1-1/2"      |
| 17          | 2          | YBCR12065     | CARR. BOLT, 3/8" X 3/4" GR. 5 |
| 18          | 16         | YBCR12010     | CARR. BOLT, 3/8" X 1" GR. 5   |
| 19          | 1          | YWLO08005     | WASHER, LOCK, 1/4"            |
| 20          | 1          | YWFL12005     | WASHER, FLAT, 3/8" USS        |
| 21          | 23         | YWLO12005     | WASHER, LOCK, 3/8" USS        |
| 22          | 3          | YNHX08005     | HEX NUT, 1/4"                 |
| 23          | 23         | YNHX12005     | HEX NUT, 3/8"-16              |

**FIGURE 8**  
**BEATER DRIVE TRAIN**

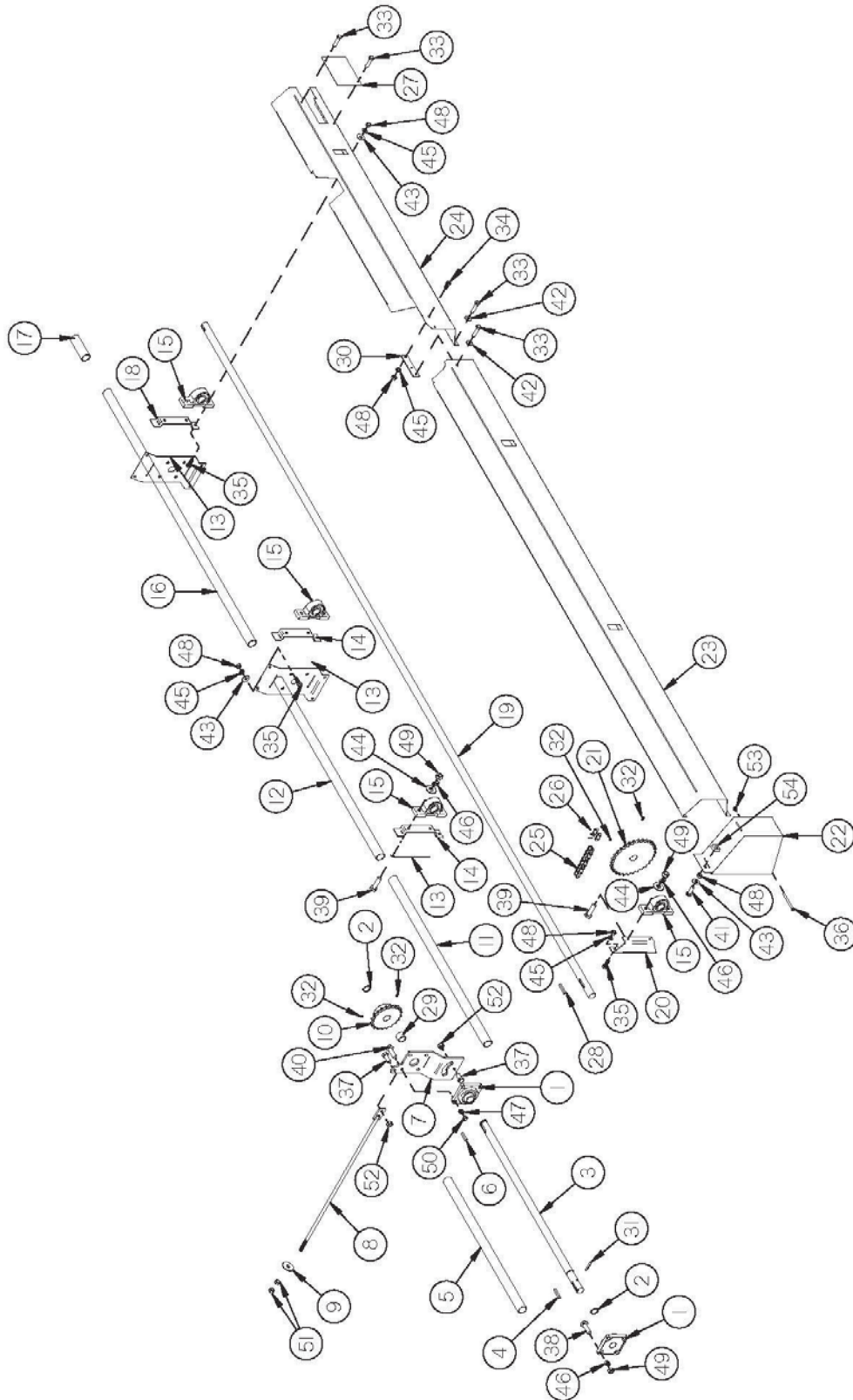


## FIGURE 8

### BEATER DRIVE TRAIN

| <u>ITEM</u> | <u>QTY</u> | <u>PART #</u> | <u>DESCRIPTION</u>                      |
|-------------|------------|---------------|---|
| 1           | 2          | 12V99         | BEARING                                 |
| 2           | 2          | 12V62         | SNAP RING                               |
| 3           | 1          | 56N35         | INPUT SHAFT                             |
| 4           | 1          | S138          | 3/8" X 2-3/8" KEY W/ ROUND ENDS         |
| 5           | 1          | 56N36         | INPUT PVC SHIELD                        |
| 6           | 1          | PB87          | 3/8" X 2" KEY                           |
| 7           | 1          | 56N37         | JACK SHAFT BRACKET                      |
| 8           | 1          | 56N38         | TIGHTENER ROD                           |
| 9           | 1          | F129          | TIGHTENER WASHER                        |
| 10          | 1          | 12V104        | 20 T SPROCKET                           |
| 11          | 1          | 56N39         | SIDE PVC SHIELD FRONT                   |
| 12          | 1          | 56N40         | SIDE PVC SHIELD FRONT CENTER            |
| 13          | 3          | 56N41         | BEARING BRACKET                         |
| 14          | 2          | 56N42         | SHIELD TAB                              |
| 15          | 4          | 16SV72        | PILLOW BLOCK BEARING                    |
| 16          | 1          | 56N43         | SIDE PVC SHIELD BACK CENTER             |
| 17          | 1          | 56N44         | SIDE PVC SHIELD BACK                    |
| 18          | 1          | 56N45         | SHIELD TAB BACK                         |
| 19          | 1          | 56N46         | SIDE SHAFT                              |
| 20          | 1          | 56N47         | BEARING STANDOFF                        |
| 21          | 1          | 56N48         | SIDE SHAFT SPROCKET (80-B-30)           |
| 22          | 1          | 56N49         | FRONT SHIELD                            |
| 23          | 1          | 56N50         | SIDE SHIELD FRONT                       |
| 24          | 1          | 56N51         | SIDE SHIELD BACK                        |
| 25          | 1          | 56N52         | PRIMARY DRIVE CHAIN (#80 x 119 PITCHES) |
| 26          | 1          | F157          | #80 CONNECTOR LINK                      |
| 27          | 1          | 56N53         | GALVANIZED COVER                        |

**FIGURE 8**  
**BEATER DRIVE TRAIN**



## FIGURE 8

### BEATER DRIVE TRAIN

| <u>ITEM</u> | <u>QTY</u> | <u>PART #</u> | <u>DESCRIPTION</u>                                       |
|-------------|------------|---------------|--|
| 28          | 1          | PB136         | 3/8" X 2" KEY W/ ROUND ENDS                              |
| 29          | 1          | 56N61         | FRONT SPROCKET SPACER                                    |
| 30          | 1          | 56N151        | SHIELD TAB   |
| 31          | 1          | YPEX12022     | EXPANSION PIN, 3/8" X 2-3/8"                             |
| 32          | 4          | YSKP12010     | SET SCREW, KNURLED, 3/8"-16 X 1/2"                       |
| 33          | 4          | YSHW10005     | THREAD CUTTING SCREW- HEX WASHER HEAD SLOTTED - TYPE "F" |
| 34          | 2          | YBHH12135     | BOLT, 3/8" X 3/4" GR. 5                                  |
| 35          | 11         | YBHH12010     | BOLT, 3/8" X 1" GR. 5                                    |
| 36          | 1          | YBHH12185     | BOLT, 3/8" X 4-1/2" GR. 5                                |
| 37          | 2          | YBHH16045     | BOLT, 1/2" X 1-1/4" GR. 5                                |
| 38          | 4          | YBHH16030     | BOLT, 1/2" X 1-1/2" GR. 5                                |
| 39          | 8          | YBHH16055     | BOLT, 1/2" X 1-3/4" GR. 5                                |
| 40          | 4          | YBHH18005     | BOLT, 9/16" X 1-1/2" GR. 5                               |
| 41          | 1          | YBCR12030     | CARR. BOLT 3/8" X 1-3/4" GR. 5                           |
| 42          | 2          | YWFL10005     | WASHER, FLAT, 5/16" USS                                  |
| 43          | 10         | YWFL12005     | WASHER, FLAT, 3/8" USS                                   |
| 44          | 8          | YWFL16005     | WASHER, FLAT, 1/2" USS                                   |
| 45          | 13         | YWLO12005     | WASHER, LOCK, 3/8"                                       |
| 46          | 12         | YWLO16005     | WASHER, LOCK, 1/2"                                       |
| 47          | 4          | YWLO18005     | WASHER, LOCK, 9/16"                                      |
| 48          | 14         | YNHX12005     | HEX NUT, 3/8"-16   |
| 49          | 12         | YNHX16005     | HEX NUT, 1/2"  |
| 50          | 4          | YNHX18005     | HEX NUT, 9/16"-11  |
| 51          | 2          | YNHX20005     | HEX NUT, 5/8"-11   |
| 52          | 2          | YNRL16005     | HEX NUT, REVERSIBLE-SIDE LOCK, 1/2"-13                   |
| 53          | 1          | YNL12005      | HEX NUT, TOP LOCK, 3/8"-16                               |
| 54          | 1          | YNWG12005     | NUT, WING, 3/8"  |

# FIGURE 9

## BEATER DRIVE



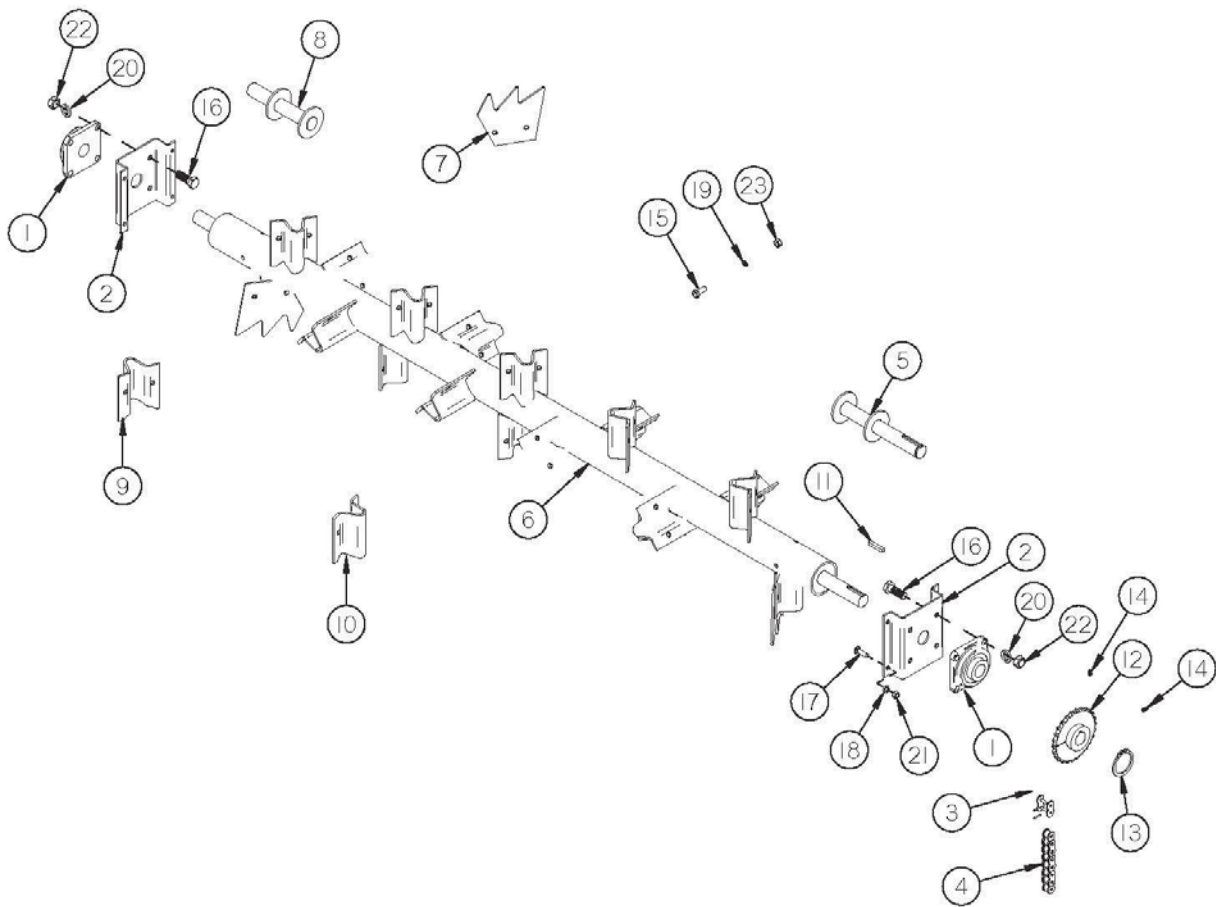
# FIGURE 9

## BEATER DRIVE

| <u>ITEM</u> | <u>QTY</u> | <u>PART #</u> | <u>DESCRIPTION</u>                     |
|-------------|------------|---------------|--|
| 1           | 2          | G139          | 3/8" X 1-1/2" KEY                      |
| 2           | 2          | 50N178        | LOCK COLLAR                            |
| 3           | 1          | 16SV69        | KEYED CLUTCH                           |
| 4           | 1          | 16SV71        | SPLINED CLUTCH                         |
| 5           | 1          | 43NW17        | CLUTCH SPRING                          |
| 6           | 1          | 56N54         | COMPLETE GEAR BOX                      |
| 7           | 1          | 56N55         | GEAR BOX MOUNT                         |
| 8           | 1          | 56N56         | GEAR BOX SPROCKET (80-B-16)            |
| *           | 1          | 56N167        | GEAR BOX SPROCKET (80-B-19) (OPTIONAL) |
| 9           | 1          | 56N57         | GEAR BOX MOUNT TOP                     |
| 10          | 2          | 12V52         | BEARING                                |
| 11          | 2          | 12V77         | IDLER SPROCKET W/ BEARING (80-A-12)    |
| 12          | 2          | 56N58         | BEATER TIGHTENER PRIMARY               |
| 13          | 1          | 10R14         | SPRING                                 |
| 14          | 1          | 56N160        | SPRING HOLDER                          |
| 15          | 1          | R27           | SPRING                                 |
| 16          | 1          | 16SV70        | BRONZE BUSHING                         |
| 17          | 1          | 56N150        | SECOND BEATER TIGHTENER SPACER         |
| 18          | 1          | 56N149        | BEATER TIGHTENER SPACER                |
| 19          | 1          | F31           | LOOP                                   |
| 20          | 4          | YSKP12010     | SET SCREW, KNURLED, 3/8-16 X 1/2       |
| 21          | 4          | YBHH12010     | BOLT, 3/8 X 1 GR. 5                    |
| 22          | 4          | YBHH16045     | BOLT, 1/2 X 1-1/4 GR. 5                |
| 23          | 2          | YBHH16065     | BOLT, 1/2 X 2 GR. 5                    |
| 24          | 8          | YBHH20015     | BOLT, 5/8 X 1-1/4 GR. 5                |
| 25          | 1          | YBHH24050     | BOLT, 3/4" X 3" GR. 5                  |
| 26          | 1          | YBHH24055     | BOLT, 3/4 X 3-1/2 GR. 5                |
| 27          | 7          | YBCR12010     | CARR. BOLT, 3/8 X 1 GR. 5              |
| 28          | 1          | YBTE08005     | TURNED EYE BOLT, 1/4" X 1" FULL THREAD |
| 29          | 7          | YWFL10005     | WASHER, FLAT, 5/16" USS                |
| 30          | 2          | YWFL16005     | WASHER, FLAT, 1/2 USS                  |
| 31          | 1          | YWFL24005     | WASHER, FLAT, 3/4 USS                  |
| 32          | 1          | YWLO08005     | WASHER, LOCK, 1/4                      |
| 33          | 11         | YWLO12005     | WASHER, LOCK, 3/8                      |
| 34          | 4          | YWLO16005     | WASHER, LOCK, 1/2                      |
| 35          | 8          | YWLO20005     | WASHER, LOCK, 5/8"                     |
| 36          | 1          | YNHX08005     | HEX NUT, 1/4                           |
| 37          | 11         | YNHX12005     | HEX NUT, 3/8-16                        |
| 38          | 5          | YNHX16005     | HEX NUT, 1/2                           |
| 39          | 1          | YNNJ24005     | HEX NUT, NYLON JAM LOCKNUT, 3/4        |
| 40          | 2          | YNTL16005     | HEX NUT, TOP LOCK, 1/2-13              |
| 41          | 2          | YNTL24005     | HEX NUT, TOP LOCK, 3/4-10              |

**NOTE: \* MEANS NOT SHOWN**

**FIGURE 10**  
**TOP BEATER**



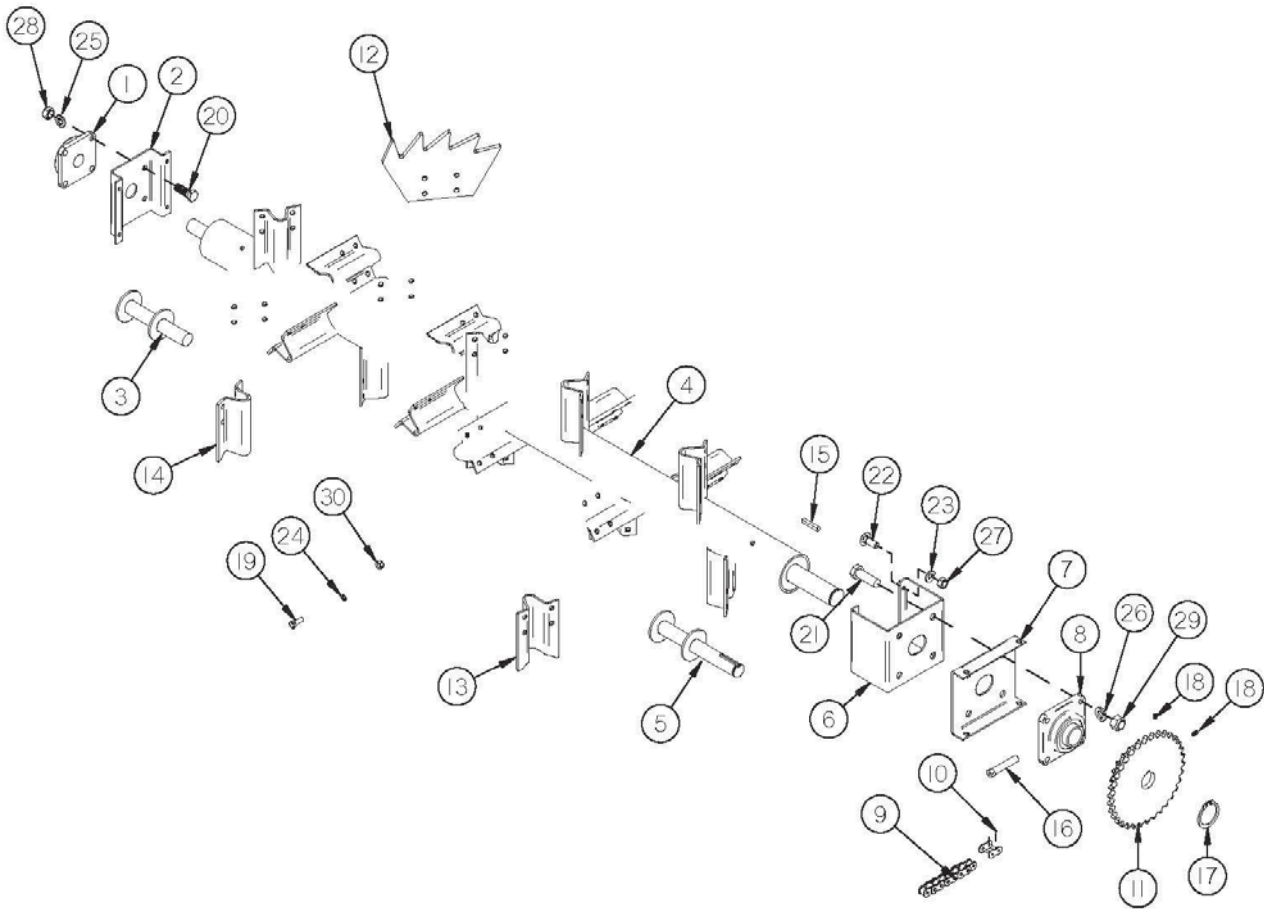


# FIGURE 10

## TOP BEATER

| <u>ITEM</u> | <u>QTY</u> | <u>PART #</u> | <u>DESCRIPTION</u>                                |
|-------------|------------|---------------|---|
| 1           | 2          | 12V99         | BEARING   |
| 2           | 2          | 56N68         | BEATER BEARING MOUNT                              |
| 3           | 1          | F157          | #80 CONNECTOR LINK                                |
| 4           | 1          | 56N75         | BOTTOM BEATER TO TOP CHAIN (#80 x 73 PITCHES)     |
| 5           | 1          | 56N78         | SECOND BEATER DRIVE SHAFT                         |
| 6           | 1          | 56N79         | SECOND BEATER                                     |
| 7           | 18         | 45N27         | SECOND BEATER BLADE                               |
| 8           | 1          | 56N80         | SECOND BEATER STUB SHAFT                          |
| 9           | 9          | 56N116        | BLADE HOLDER LEFT                                 |
| 10          | 9          | 56N117        | BLADE HOLDER RIGHT                                |
| 11          | 1          | PB136         | 3/8" X 2" KEY W/ ROUND ENDS                       |
| 12          | 1          | 12V104        | BEATER SPROCKET 80-B-20                           |
| 13          | 1          | 12V62         | SNAP RING   |
| 14          | 2          | YSKP12025     | SET SCREW, SOCKET, KNURLED CUP PT, 3/8"-16 X 3/8" |
| 15          | 36         | YBHH16045     | BEATER BLADE BOLT (1/2" X 1-1/4" GR. 5)           |
| 16          | 8          | YBHH18005     | BOLT, 9/16 X 1-1/2 GR. 5                          |
| 17          | 4          | YBCR12010     | CARR. BOLT, 3/8 X 1 GR. 5                         |
| 18          | 4          | YWLO12005     | WASHER, LOCK, 3/8                                 |
| 19          | 36         | YWLO16005     | WASHER, LOCK, 1/2                                 |
| 20          | 8          | YWLO18005     | WASHER, LOCK, 9/16                                |
| 21          | 4          | YNHX12005     | HEX NUT, 3/8-16                                   |
| 22          | 8          | YNHX18005     | HEX NUT, 9/16-11                                  |
| 23          | 36         | YNTL16005     | HEX NUT, TOP LOCK, 1/2-13                         |

**FIGURE 11**  
**BOTTOM BEATER**



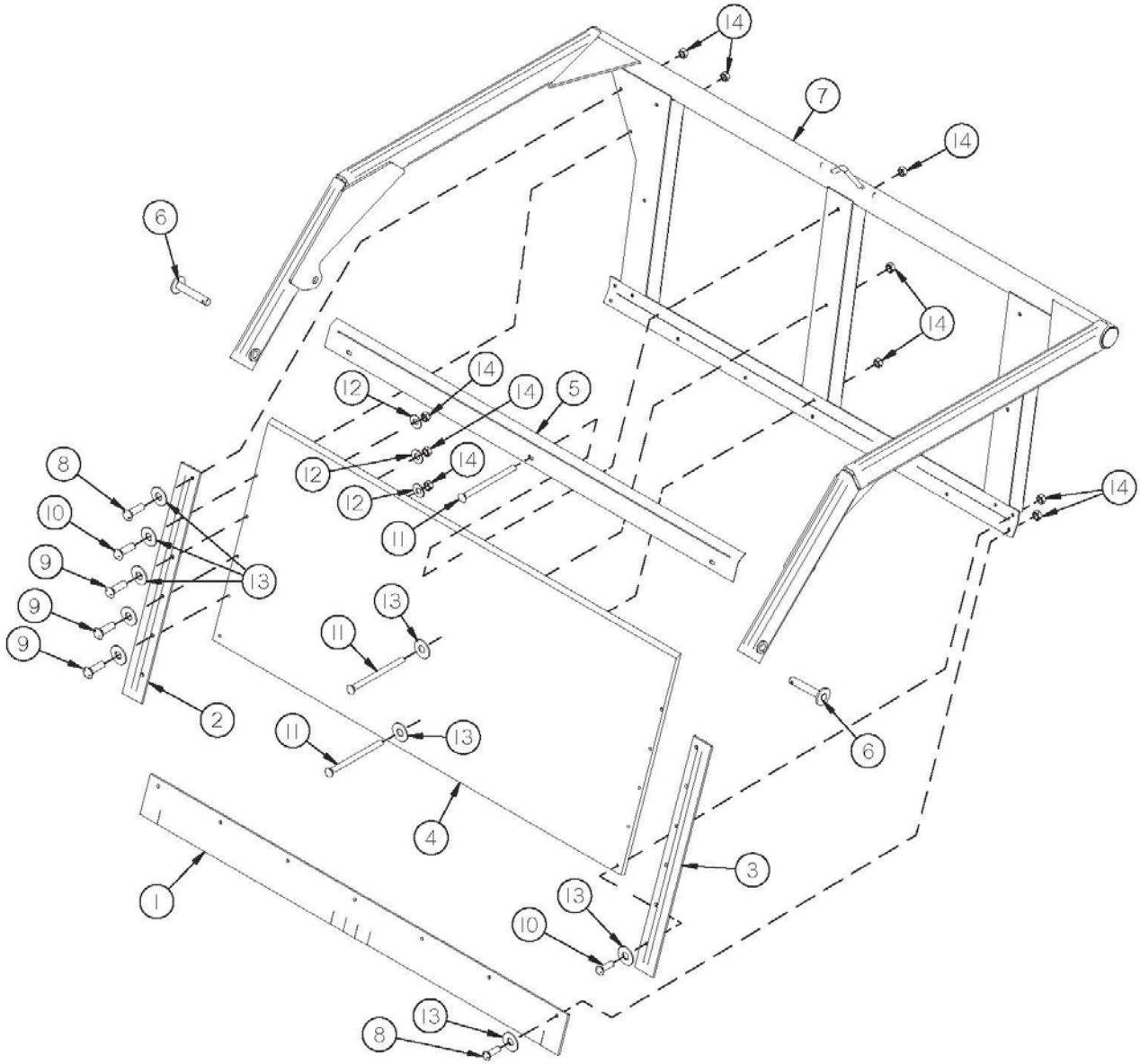
# FIGURE 11

## BOTTOM BEATER

| <u>ITEM</u> | <u>QTY</u> | <u>PART #</u> | <u>DESCRIPTION</u>                                     |
|-------------|------------|---------------|--|
| 1           | 1          | 12V99         | BEARING  |
| 2           | 1          | 56N68         | BEATER BEARING MOUNT                                   |
| 3           | 1          | 56N69         | BEATER STUB SHAFT                                      |
| 4           | 1          | 56N70         | BEATER   |
| 5           | 1          | 56N71         | BEATER DRIVE SHAFT                                     |
| 6           | 1          | 56N72         | BEATER BEARING STAND OFF                               |
| 7           | 1          | 56N73         | BEATER BEARING MOUNT LEFT                              |
| 8           | 1          | 56N74         | BEARING  |
| 9           | 1          | 56N77         | GEAR BOX TO BEATER CHAIN (#80 X 52 PITCHES)            |
| *           | 1          | 56N169        | GEAR BOX TO BEATER CHAIN (#80 X 55 PITCHES) (OPTIONAL) |
| 10          | 1          | F157          | #80 CONNECTOR LINK                                     |
| 11          | 1          | 56N76         | BEATER SPROCKET 80-A-34 & 80-B-20                      |
| 12          | 18         | 56N140        | BEATER BLADE   |
| 13          | 9          | 23N3          | BLADE HOLDER LEFT                                      |
| 14          | 9          | 23N4          | BLADE HOLDER RIGHT                                     |
| 15          | 1          | PB136         | 3/8" X 2" KEY W/ ROUND ENDS                            |
| 16          | 1          | 16SV26        | PIPE GREASE ZERK                                       |
| 17          | 1          | 8003          | 2" SNAP RING   |
| 18          | 2          | YSKP12025     | SET SCREW, SOCKET, KNURLED CUP PT, 3/8" - 16 X 3/8"    |
| 19          | 72         | YBHH16070     | 1/2" X 2" GR. 8 BOLT                                   |
| 20          | 4          | YBHH18005     | BOLT, 9/16" X 1-1/2" GR. 5                             |
| 21          | 4          | YBHH24035     | BOLT, 3/4" X 2-1/4" GR. 5                              |
| 22          | 4          | YBCR12010     | CARR. BOLT, 3/8" X 1" GR. 5                            |
| 23          | 4          | YWLO12005     | WASHER, LOCK, 3/8"                                     |
| 24          | 72         | YWLO16005     | WASHER, LOCK, 1/2"                                     |
| 25          | 4          | YWLO18005     | WASHER, LOCK, 9/16"                                    |
| 26          | 4          | YWLO24005     | WASHER, LOCK, 3/4"                                     |
| 27          | 4          | YNHX12005     | HEX NUT, 3/8" - 16                                     |
| 28          | 4          | YNHX18005     | HEX NUT, 9/16" - 11                                    |
| 29          | 4          | YNHX24005     | HEX NUT, 3/4" - 10                                     |
| 26          | 72         | YNL16005      | HEX NUT, TOP LOCK, 1/2" - 13                           |

**NOTE: \* MEANS NOT SHOWN**

**FIGURE 12**  
**ENDGATE**

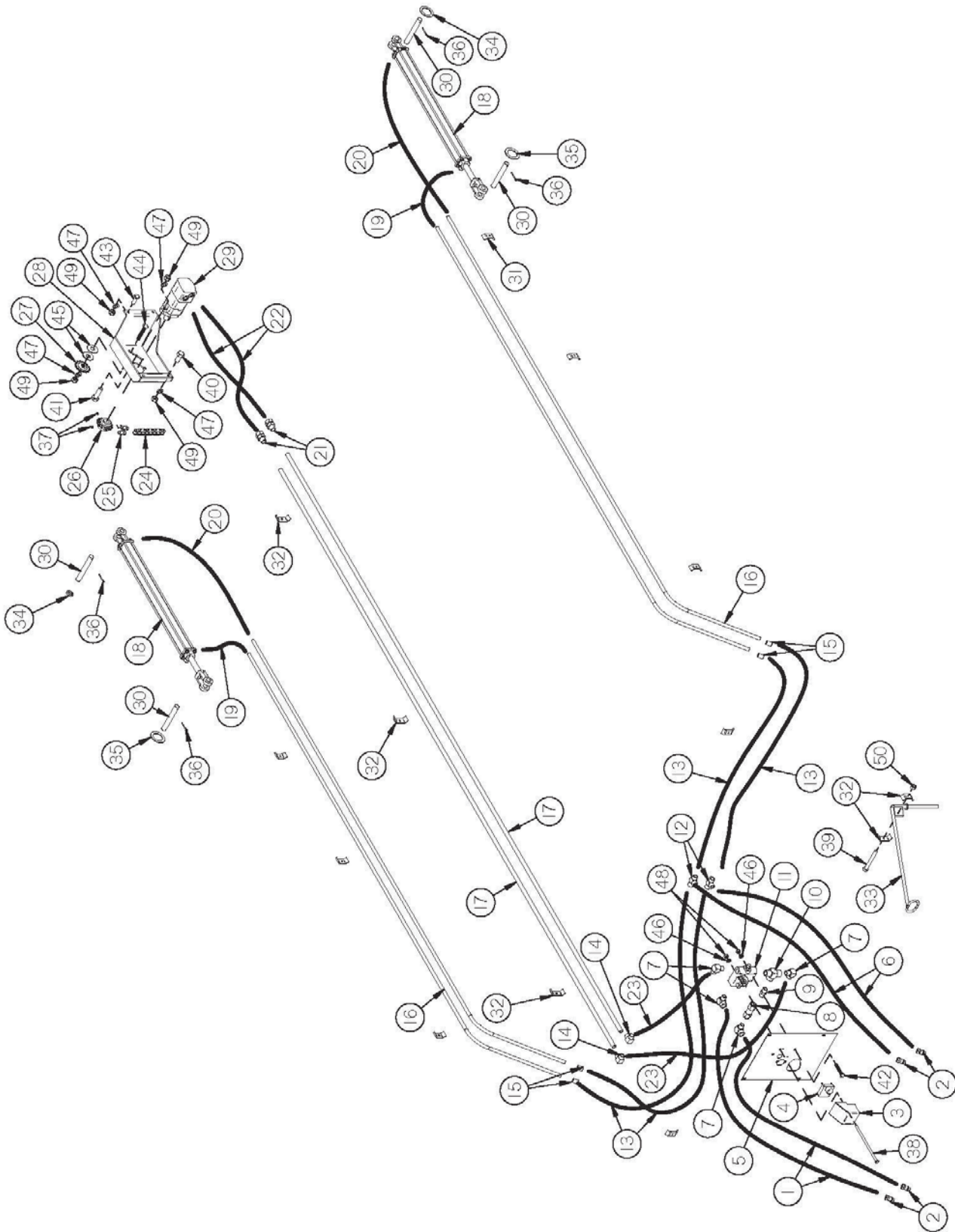


## FIGURE 12

### ENDGATE

| <u>ITEM</u> | <u>QTY</u> | <u>PART #</u> | <u>DESCRIPTION</u>                        |
|-------------|------------|---------------|---|
| 1           | 1          | 56N62         | TAILGATE RUBBER                           |
| 2           | 1          | 56N63         | TAILGATE RUBBER RIGHT                     |
| 3           | 1          | 56N64         | TAILGATE RUBBER LEFT                      |
| 4           | 1          | 56N65         | ENDGATE PLYWOOD                           |
| 5           | 1          | 56N66         | PLYWOOD HOLDOWN                           |
| 6           | 2          | 56N163        | ENDGATE HINGE PIN                         |
| 7           | 1          | 56N67         | TAILGATE                                  |
| 8           | 9          | YBCR12010     | CARR. BOLT 3/8 X 1 GR. 5                  |
| 9           | 6          | YBCR12015     | CARR. BOLT, 3/8" X 1-1/2" GR. 5           |
| 10          | 4          | YBCR12030     | CARR. BOLT 3/8 X 1-3/4 GR. 5              |
| 11          | 9          | YBCR12105     | CARR. BOLT, 3/8 X 4-1/2 GR. 5 FULL THREAD |
| 12          | 6          | YWFL12005     | WASHER, FLAT, 3/8 USS                     |
| 13          | 25         | YWFL16005     | WASHER, FLAT, 1/2 USS                     |
| 14          | 28         | YNHX12005     | HEX NUT, 3/8-16                           |

**FIGURE 13**  
**HYDRAULICS**

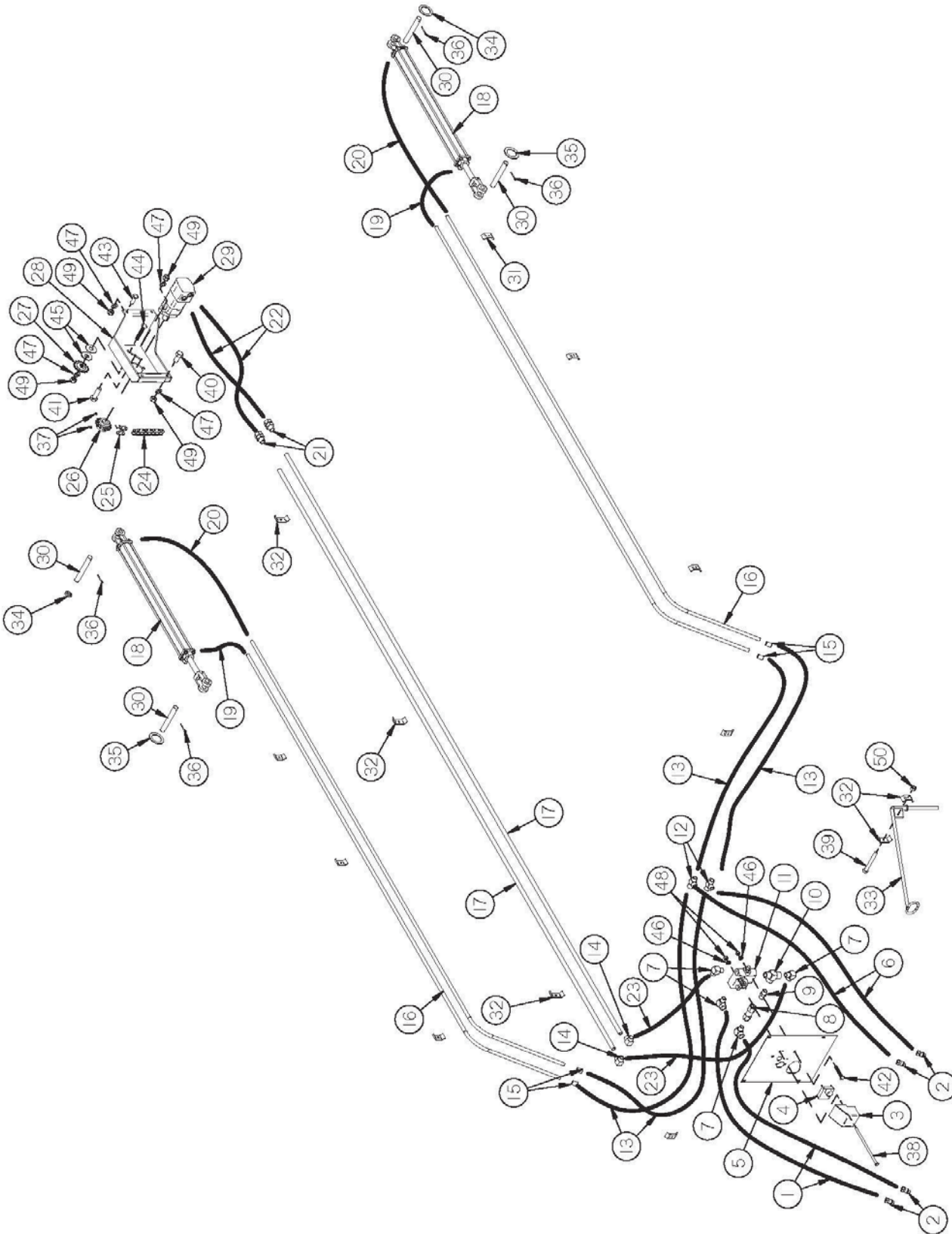


# FIGURE 13

## HYDRAULICS

| <u>ITEM</u> | <u>QTY</u> | <u>PART #</u> | <u>DESCRIPTION</u>                            |
|-------------|------------|---------------|---|
| 1           | 1          | 56N81         | HYDRAULIC HOSE 3/4" X 120" 3/4"MP & 1/2"MP    |
| 2           | 4          | DWM205        | QUICK COUPLER MALE                            |
| 3           | 1          | 43H1          | MOTOR SHIELD/HOLDER                           |
| 4           | 1          | 16SV246       | GEAR MOTOR                                    |
| 5           | 1          | 56N82         | HYDRAULIC CONTROL PANEL                       |
| 6           | 1          | 56N83         | HYDRAULIC HOSE 3/8" X 132" 3/8"MP & 1/2"MP    |
| 7           | 4          | STM39         | STREET ELBOW 3/4"                             |
| 8           | 1          | PB185         | CHECK VALVE 3/4"                              |
| 9           | 1          | 56N118        | CLOSE NIPPLE 3/4"                             |
| 10          | 1          | STM40         | SERVICE TEE 3/4"                              |
| 11          | 1          | 33SV74        | FLOW CONTROL 3/4"                             |
| 12          | 2          | BFR74         | TEE 3/8"                                      |
| 13          | 4          | 56N84         | HYDRAULIC HOSE 3/8" X 50" 3/8"MP & 3/8"MPX    |
| 14          | 2          | 56N119        | ELBOW 3/4"                                    |
| 15          | 4          | HE59          | ELBOW 3/8"                                    |
| 16          | 4          | 56N85         | HYDRAULIC PIPE                                |
| 17          | 2          | 56N86         | APRON HYDRAULIC LINE                          |
| 18          | 2          | 56002         | HYDRAULIC CYLINDER (2" X 20")                 |
| 19          | 1          | 12V19         | HYDRAULIC HOSE 3/8" X 24"                     |
| 20          | 1          | 12V20         | HYDRAULIC HOSE 3/8" X 44"                     |
| 21          | 2          | 56N120        | FEMALE UNION ADAPTER 3/4"                     |
| 22          | 2          | 56N87         | HYDRAULIC HOSE 3/4" X 24" 3/4"MP & #10 O-RING |
| 23          | 2          | 56N88         | HYDRAULIC HOSE 3/4" X 49" 3/4"MP & 3/4"MPX    |
| 24          | 1          | 56N89         | DRIVE CHAIN #60 x 102 PITCHES                 |
| 25          | 1          | D39           | CONNECTOR LINK (#60)                          |

**FIGURE 13**  
**HYDRAULICS**





# FIGURE 13

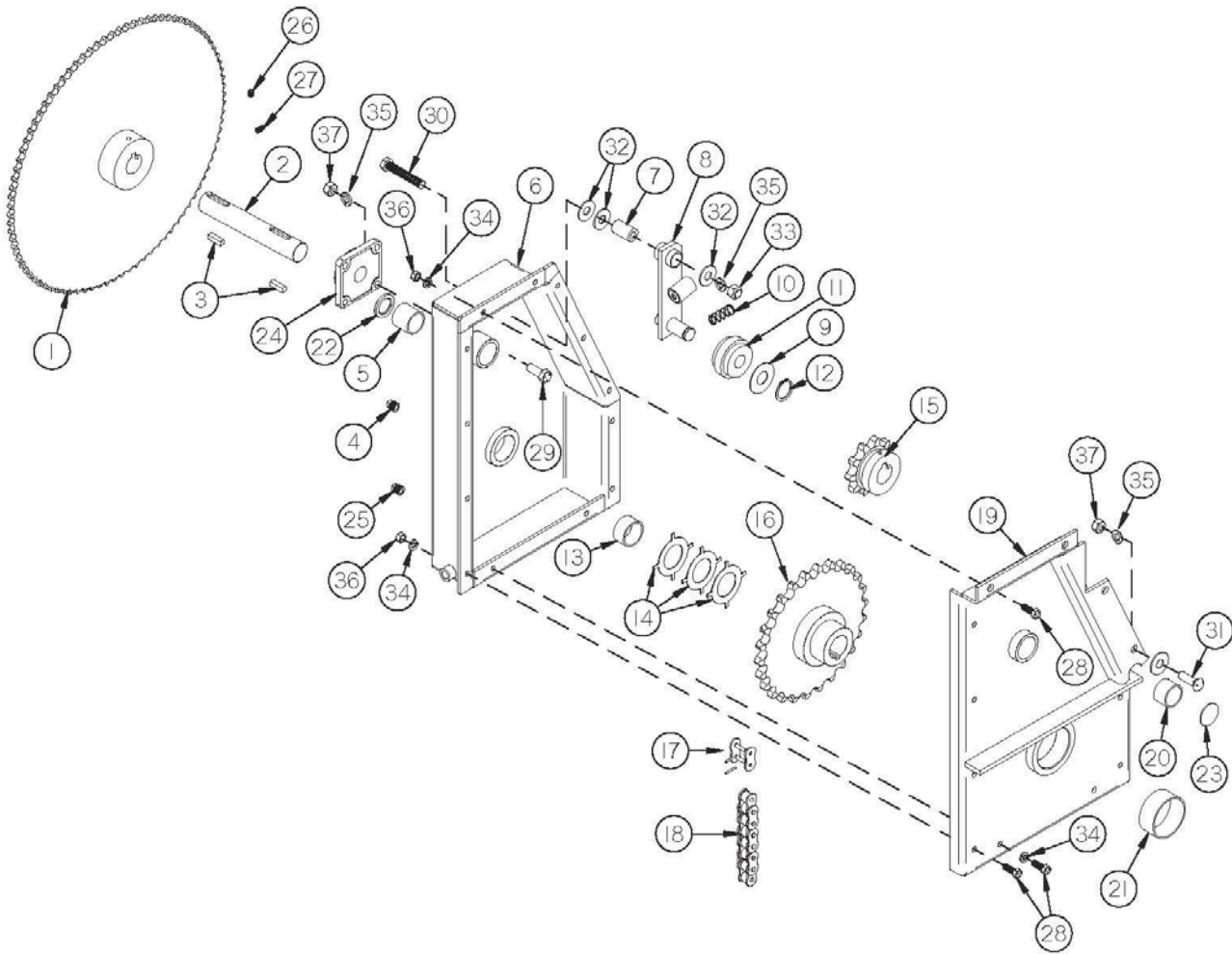
## HYDRAULICS

| <u>ITEM</u> | <u>QTY</u> | <u>PART #</u> | <u>DESCRIPTION</u>                                |
|-------------|------------|---------------|---|
| 26          | 1          | 56N90         | MOTOR SPROCKET (60-C-14)                          |
| 27          | 1          | 12N42         | 15T IDLER SPROCKET                                |
| 28          | 1          | 56N91         | APRON MOTOR MOUNT                                 |
| 29          | 1          | 16SV150       | HYDRAULIC MOTOR 2000 SERIES                       |
| 30          | 4          | 56N141        | CYLINDER PIN                                      |
| 31          | 9          | HE42          | HOSE BRACKET                                      |
| 32          | 7          | 23N67         | HOSE BRACKET                                      |
| 33          | 1          | 16SV332       | HOSE HOLDER                                       |
| 34          | A/R        | 56N184        | SPACER  |
| 35          | A/R        | S345          | SHIM  |
| 36          | 4          | YPCT07005     | COTTER PIN, 7/32" X 2 "                           |
| 37          | 1          | YSKP12025     | SET SCREW, SOCKET, KNURLED CUP PT, 3/8"-16 X 3/8" |
| 38          | 1          | YBHH08125     | BOLT, 1/4" X 6" GR. 5                             |
| 39          | 1          | YBHH12125     | BOLT, 3/8" X 3" GR. 5 FULL THREAD                 |
| 40          | 2          | YBHH16010     | BOLT, 1/2" X 1" GR. 5                             |
| 41          | 2          | YBHH16030     | BOLT, 1/2" X 1-1/2" GR. 5                         |
| 42          | 1          | YBCR08025     | CARR. BOLT, 1/4" X 2-1/2" GR. 5                   |
| 43          | 2          | YBCR16015     | CARR. BOLT, 1/2" X 1-1/4" GR. 5                   |
| 44          | 1          | YBCR16030     | CARR. BOLT, 1/2" X 2-1/2" GR. 5                   |
| 45          | 2          | YWFL16005     | WASHER, FLAT, 1/2"                                |
| 46          | 2          | YWLO08005     | WASHER, LOCK, 1/4"                                |
| 47          | 7          | YWLO16005     | WASHER, LOCK, 1/2"                                |
| 48          | 2          | YNHX08005     | HEX NUT, 1/4"                                     |
| 49          | 7          | YNHX16005     | HEX NUT, 1/2"                                     |
| 50          | 1          | YNNY12005     | HEX NUT, NYLON LOCKNUT, 3/8"                      |

**NOTE: A/R MEANS AS REQUIRED**

# FIGURE 14

## APRON GEARBOX



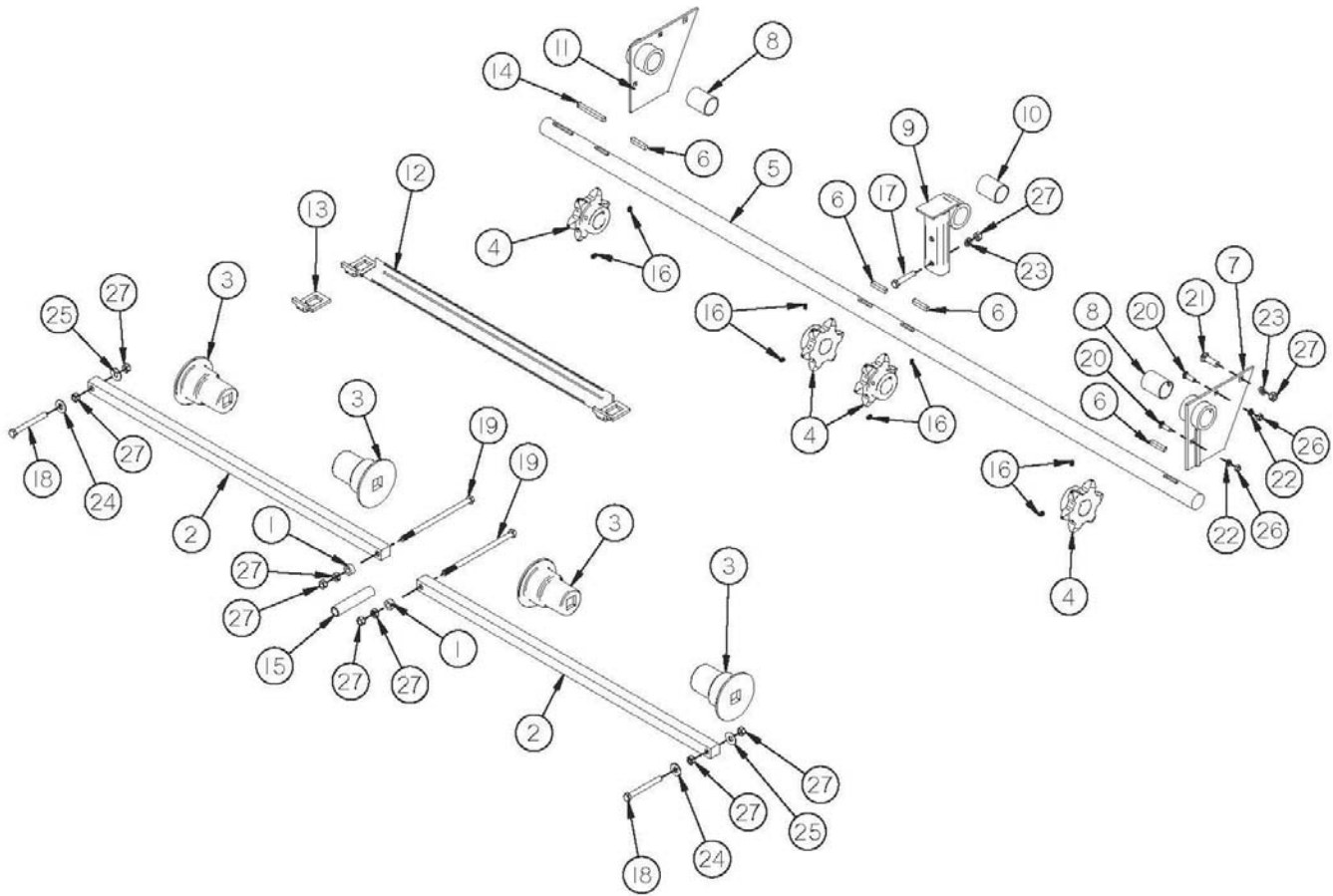
## FIGURE 14

### APRON GEARBOX

| <u>ITEM</u> | <u>QTY</u> | <u>PART #</u> | <u>DESCRIPTION</u>                                |
|-------------|------------|---------------|---|
| 1           | 1          | 56N92         | GEAR BOX DRIVE SPROCKET (60-B-90)                 |
| 2           | 1          | 56N93         | GEARBOX SHAFT                                     |
| 3           | 2          | 56N94         | 3/8" x 1-7/8" KEY (ROUND ENDS)                    |
| 4           | 1          | 56N95         | 3/4"-14 O-RING PLUG                               |
| 5           | 1          | 17G134        | BRONZE BUSHING 1-3/4"OD X 1-1/2"ID X 1-1/2"       |
| 6           | 1          | 56N96         | GEARBOX BASE                                      |
| 7           | 1          | 56N97         | TIGHTENER AXLE                                    |
| 8           | 1          | 56N98         | TIGHTENER   |
| 9           | 1          | 56N99         | TIGHTENER WASHER                                  |
| 10          | 1          | 17G130        | SPRING  |
| 11          | 1          | IFB14         | POLY CHAIN TIGHTENER                              |
| 12          | 1          | 3G21          | 1" SNAP RING                                      |
| 13          | 1          | 56N100        | BRONZE BUSHING 2"OD X 1-3/4"ID X 1"               |
| 14          | 3          | 56N101        | FINAL DRIVE SHIM                                  |
| 15          | 1          | 33SV80I       | SPROCKET 100-B-10                                 |
| 16          | 1          | 56N102        | FINAL DRIVE SPROCKET 100-C-26                     |
| 17          | 1          | 57866         | CONNECTOR LINK #100                               |
| 18          | 1          | 56N103        | CHAIN #100 X 36 PITCHES                           |
| 19          | 1          | 56N105        | GEARBOX COVER                                     |
| 20          | 1          | 17G111        | BRONZE BUSHING 1-3/4"OD X 1-1/2"ID X 1.000        |
| 21          | 1          | 56N106        | BRONZE BUSHING 3-1/4"OD X 3"ID X 1.375            |
| 22          | 1          | 17G133        | SEAL  |
| 23          | 1          | 17G139        | FROST PLUG 1-3/4"                                 |
| 24          | 1          | 12V99         | BEARING   |
| 25          | 1          | G65           | PLUG 3/8" - NPT                                   |
| *           | 1          | 56N121        | COMPLETE GEARBOX                                  |
| 26          | 1          | YSKP12025     | SET SCREW, SOCKET, KNURLED CUP PT, 3/8"-16 X 3/8" |
| 27          | 1          | YSFD12005     | SET SCREW, SOCKET, FULL DOG PT, 3/8"-16 X 3/4"    |
| 28          | 13         | YBHH12010     | BOLT, 3/8" X 1" GR. 5                             |
| 29          | 4          | YBHH16045     | BOLT, 1/2" X 1-1/4" GR. 5                         |
| 30          | 1          | YBHH16105     | BOLT, 1/2" X 3" GR. 5                             |
| 31          | 4          | YBCR16015     | CARR. BOLT, 1/2" X 1-1/4" GR. 5                   |
| 32          | 3          | YWFL16005     | WASHER, FLAT, 1/2" USS                            |
| 33          | 1          | YNL16005      | HEX NUT, TOP LOCK, 1/2" - 13                      |
| 34          | 13         | YWLO12005     | WASHER, LOCK, 3/8"                                |
| 35          | 9          | YWLO16005     | WASHER, LOCK, 1/2"                                |
| 36          | 11         | YNHX12005     | HEX NUT, 3/8" - 16                                |
| 37          | 8          | YNHX16005     | HEX NUT, 1/2"                                     |

**NOTE: \* MEANS NOT SHOWN**

**FIGURE 15**  
**APRON CHAIN**

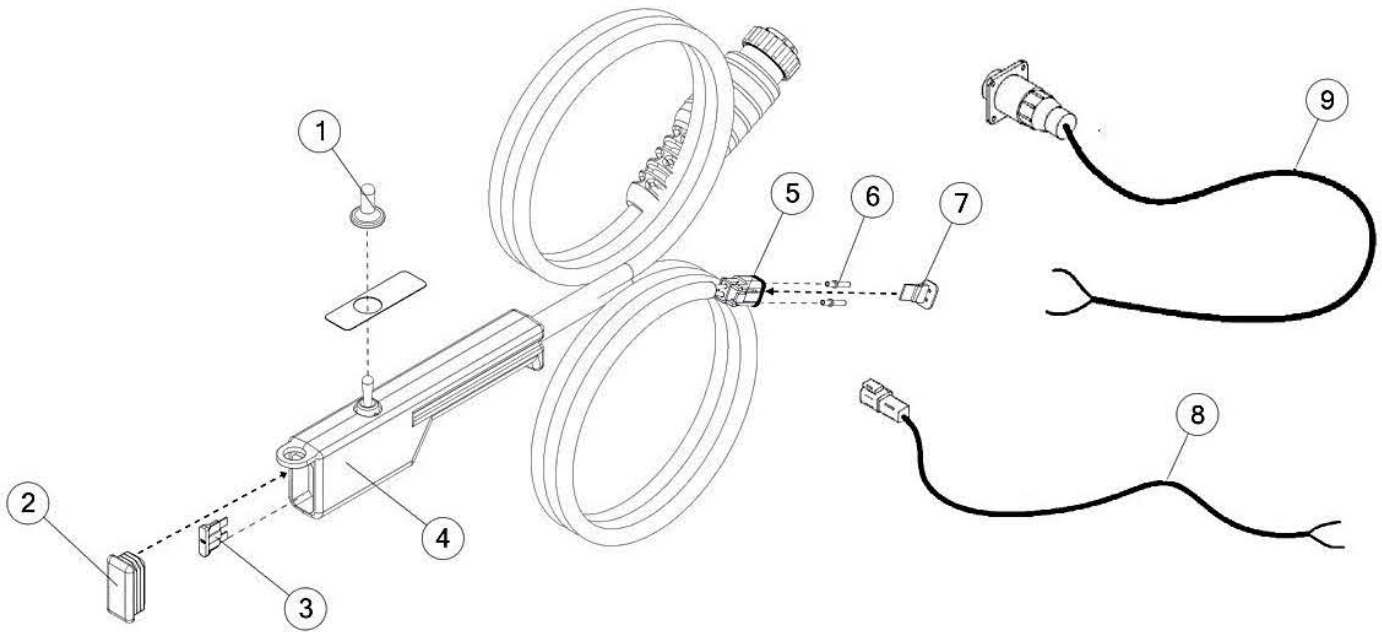


# FIGURE 15

## APRON CHAIN

| <u>ITEM</u> | <u>QTY</u> | <u>PART #</u> | <u>DESCRIPTION</u>                                 |
|-------------|------------|---------------|--|
| 1           | 2          | 56N107        | APRON TIGHTENER SPACER                             |
| 2           | 2          | 56N165        | IDLER SHAFT - SQUARE                               |
| 3           | 4          | 56N164        | SLIDES   |
| 4           | 4          | 50N177        | APRON DRIVE SPROCKET                               |
| 5           | 1          | 56N109        | APRON DRIVE SHAFT                                  |
| 6           | 4          | 56N174        | 3/8" x 2" KEY W/ ROUND ENDS (HARDENED)             |
| 7           | 1          | 56N110        | BEARING BRACKET LEFT                               |
| 8           | 2          | 56N111        | DRIVE SHAFT BUSHING 2"OD x 1-3/4"ID x 2.500        |
| 9           | 1          | 56N112        | CENTER BEARING HOLDER                              |
| 10          | 1          | 56N113        | DRIVE SHAFT CENTER BUSHING 2"OD x 1-3/4"ID x 2.500 |
| 11          | 1          | 56N114        | BEARING BRACKET RIGHT                              |
| 12          | 54         | 56N175        | 67 T-BAR SLAT - 54 PCS.                            |
| 13          | 552        | A12           | 67 T-BAR LINK - 552 PCS.                           |
| 14          | 1          | 56N130        | 3/8" x 3.875" KEY ROUND ENDS                       |
| 15          | 1          | 56N173        | IDLER SHAFT STOP                                   |
| 16          | 8          | YSKP12025     | SET SCREW, SOCKET, KNURLED CUP PT, 3/8"-16 X 3/8"  |
| 17          | 2          | YBHH16095     | BOLT, 1/2" X 2-1/4" GR. 5                          |
| 18          | 2          | YBHH16190     | BOLT, 1/2" X 9-1/2" GR. 5                          |
| 19          | 2          | YBHH16022     | BOLT, 1/2" X 12" GR. 5                             |
| 20          | 4          | YBCR12010     | CARR. BOLT 3/8" X 1" GR. 5                         |
| 21          | 2          | YBCR16015     | CARR. BOLT, 1/2" X 1-1/4" GR. 5                    |
| 22          | 4          | YWLO12005     | WASHER, LOCK, 3/8" USS                             |
| 23          | 4          | YWLO16005     | WASHER, LOCK, 1/2"                                 |
| 24          | 2          | YWFL16005     | WASHER, FLAT, 1/2" USS                             |
| 25          | 2          | YWFL16010     | 1/2" SAE FLAT WASHER GR 8                          |
| 26          | 4          | YNHX12005     | HEX NUT, 3/8" - 16                                 |
| 27          | 12         | YNHX16005     | HEX NUT, 1/2"                                      |

**FIGURE 16**  
**ELECTRIC CONTROL**

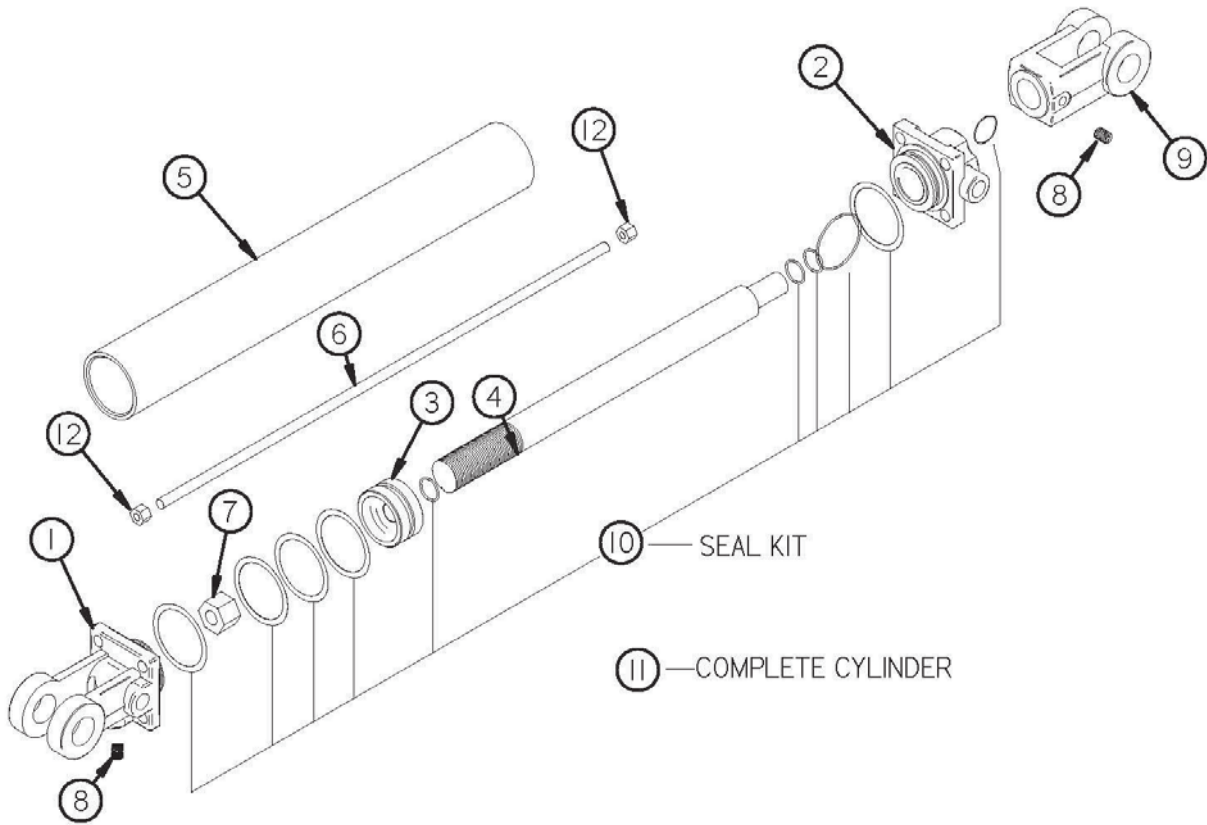


## FIGURE 16

### ELECTRIC CONTROL

| <u>ITEM</u> | <u>QTY</u> | <u>PART #</u> | <u>DESCRIPTION</u>                  |
|-------------|------------|---------------|-------------------------------------|
| 1           | 1          | 16SV235       | SWITCH BOOTS                        |
| 2           | 1          | 61564         | CAP                                 |
| 3           | 1          | 61597         | FUSE, BLADE, 5AMP                   |
| 4           | 1          | 63365         | HAND CONTROLLER (ON-OFF-ON)         |
| 5           | 1          | 58790         | DEUTSCH 2 PIN PLUG                  |
| 6           | 2          | 56760         | DEUTSCH SOCKET, SOLID, 14-16 GA.    |
| 7           | 1          | 58793         | LOCKING WEDGE FOR DT06-2S CONNECTOR |
| 8           | 1          | 56N134        | SPREADER CONTROL CORD               |
| 9           | 1          | 16SV269       | TRACTOR CONTROL CABLE               |

**FIGURE 17**  
**HYDRAULIC CYLINDER**



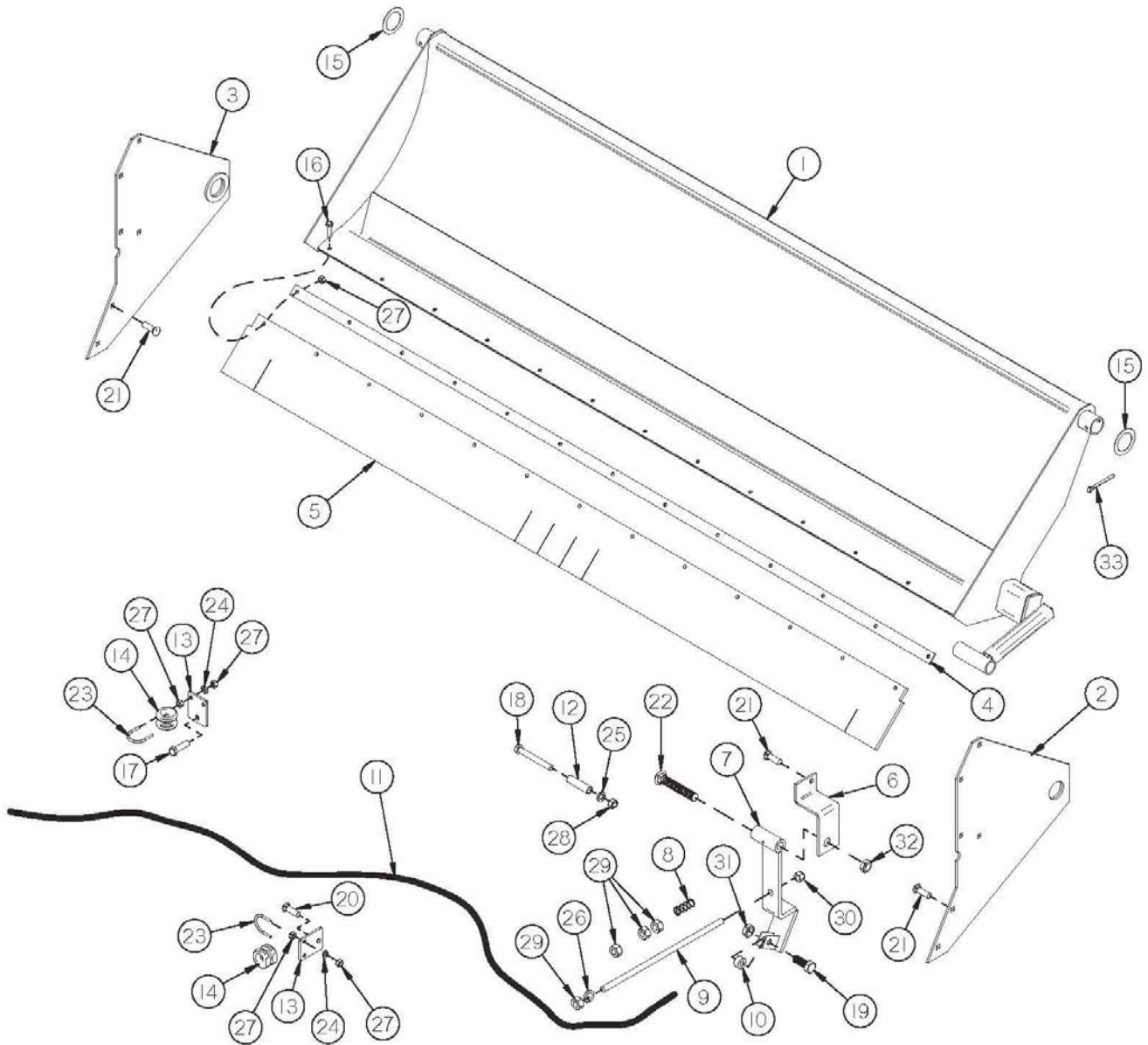


## FIGURE 17

### HYDRAULIC CYLINDER

| <u>ITEM</u> | <u>QTY</u> | <u>PART #</u> | <u>DESCRIPTION</u> |
|-------------|------------|---------------|--------------------|
| 1           | 1          | 23N142A       | CLEVIS CAP         |
| 2           | 1          | 56174         | ROD CAP            |
| 3           | 1          | 56180         | PISTON             |
| 4           | 1          | 45N42         | ROD                |
| 5           | 1          | 45N43         | CYLINDER TUBE      |
| 6           | 4          | 45N44         | TIE ROD            |
| 7           | 1          | 23N148        | PISTON NUT         |
| 8           | 2          | 23N149        | PLUG               |
| 9           | 1          | 56185         | ROD CLEVIS         |
| 10          | 1          | 56187         | SEAL KIT           |
| 11          | 1          | 56002         | HYDRAULIC CYLINDER |
| 12          | 8          | YNHX12005     | HEX NUT, 3/8"-16   |

**FIGURE 18**  
**OPTIONAL PAN**

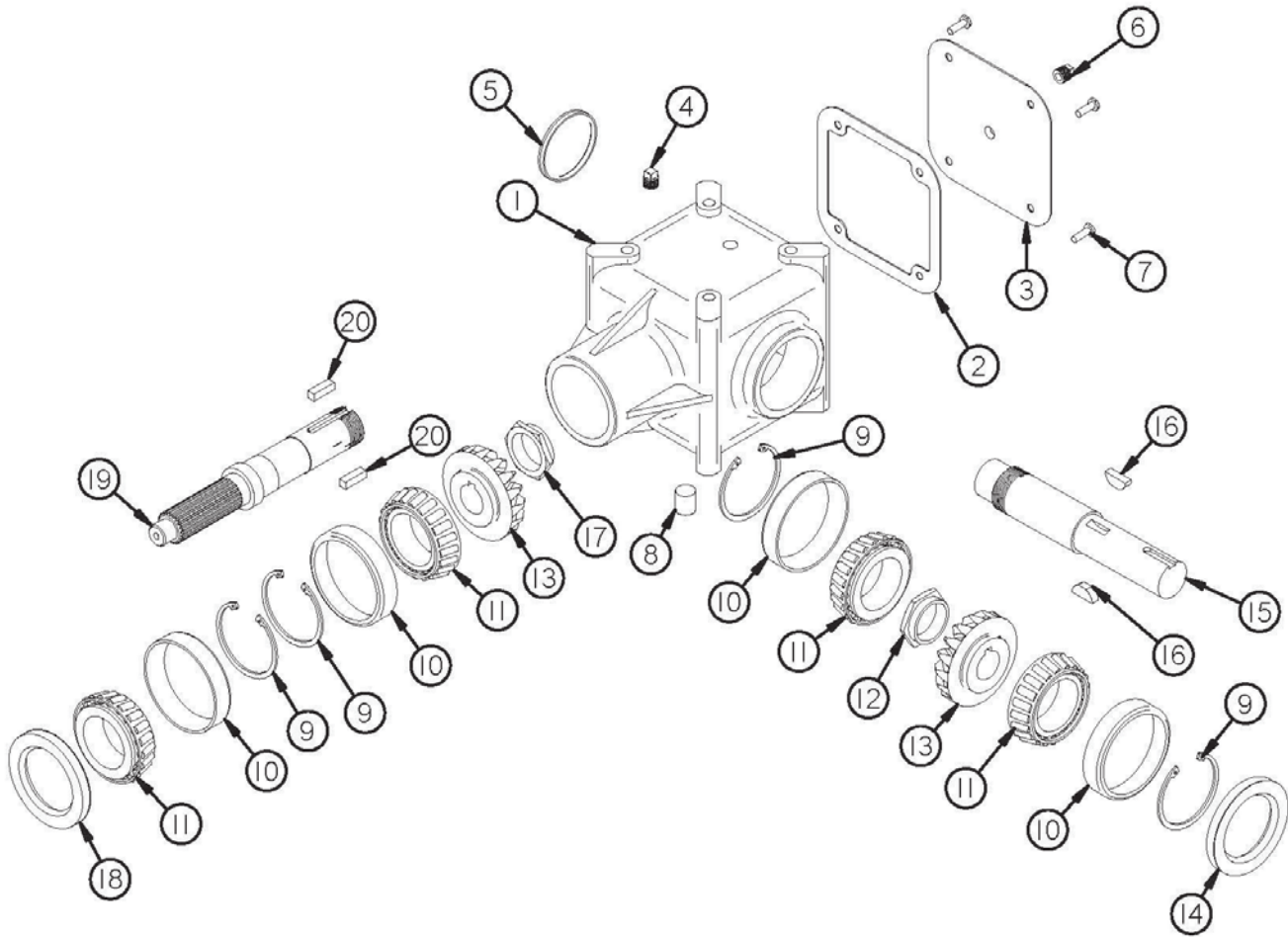


# FIGURE 18

## OPTIONAL PAN

| <u>ITEM</u> | <u>QTY</u> | <u>PART #</u> | <u>DESCRIPTION</u>  |
|-------------|------------|---------------|---|
| 1           | 1          | 56N122        | PAN   |
| 2           | 1          | 56N123        | PAN PLATE LEFT  |
| 3           | 1          | 56N124        | PAN PLATE RIGHT   |
| 4           | 1          | 56N125        | STRAP   |
| 5           | 1          | 56N126        | RUBBER  |
| 6           | 1          | 56N127        | LATCH MOUNT BRACKET   |
| 7           | 1          | 56N128        | PAN LATCH   |
| 8           | 1          | 23N211        | SPRING  |
| 9           | 1          | 56N129        | READY ROD   |
| 10          | 1          | D107          | ROPE ROLLER   |
| 11          | 1          | 56N139        | ROPE 38'  |
| 12          | 1          | 56N147        | PIPE ROPE GUIDE   |
| 13          | 2          | 56N148        | ROPE GUIDE HOLDER   |
| 14          | 2          | F33           | ROPE GUIDE  |
| 15          | 2          | 56N170        | PAN WASHER  |
| 16          | 13         | YBHH08010     | BOLT, 1/4" X 1" GR. 5   |
| 17          | 1          | YBHH12035     | BOLT, 3/8" X 1-1/4" GR. 5 (REPLACE EXISTING 1" BOLT)                  |
| 18          | 1          | YBHH12155     | BOLT, 3/8" X 3-1/4" GR. 5   |
| 19          | 1          | YBHH16045     | BOLT, 1/2" X 1-1/4" GR. 5   |
| 20          | 1          | YBCR12010     | CARR. BOLT, 3/8" X 1" GR. 5 (REPLACE 1" BOLT)                         |
| 21          | 13         | YBCR12020     | CARR. BOLT, 3/8" X 1-1/4" GR. 5 (REPLACE 1" BOLTS)                    |
| 22          | 1          | YBHH16035     | CARR. BOLT, 3/4" X 4-1/2" GR. 5                                       |
| 23          | 2          | YBPU08005     | PIPE U BOLT, 1/4"-20 X 3/4" PIPE, 1-1/4" ID, 2-1/4" IL, 1-1/4" THREAD |
| 24          | 4          | YWLO08005     | WASHER, LOCK, 1/4"  |
| 25          | 1          | YWLO12005     | WASHER, LOCK, 3/8"  |
| 26          | 1          | YWLO16005     | WASHER, LOCK, 1/2"  |
| 27          | 21         | YNHX08005     | HEX NUT, 1/4"   |
| 28          | 1          | YNHX12005     | HEX NUT, 3/8" - 16  |
| 29          | 4          | YNHX16005     | HEX NUT, 1/2"   |
| 30          | 1          | YNNY16005     | HEX NUT, NYLON LOCKNUT, 1/2"  |
| 31          | 1          | YNJM16005     | HEX NUT, NYLON JAM LOCKNUT, 1/2"                                      |
| 32          | 1          | YNNJ24005     | HEX NUT, NYLON JAM LOCKNUT, 3/4"                                      |
| 33          | 2          | YPCT08010     | COTTER PIN, 1/4" X 2-1/2"   |

**FIGURE 19**  
**BEVEL GEARBOX**



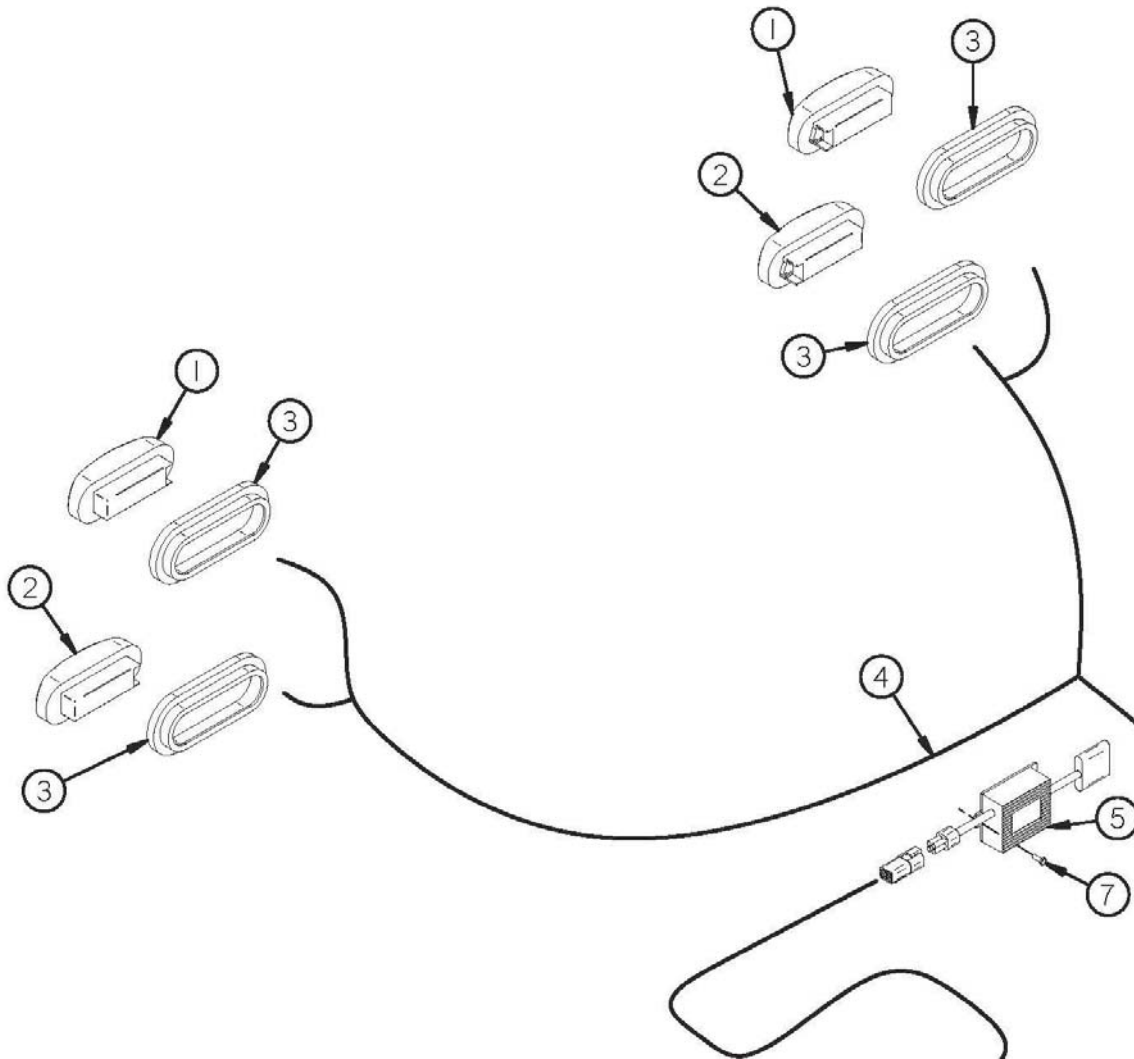
# FIGURE 19

## BEVEL GEARBOX

| <u>ITEM</u> | <u>QTY</u> | <u>PART #</u> | <u>DESCRIPTION</u>         |
|-------------|------------|---------------|----------------------------|
| 1           | 1          | G125          | HOUSING                    |
| 2           | 1          | G138          | GASKET                     |
| 3           | 1          | G126          | COVER                      |
| 4           | 1          | G144          | PLUG 3/8" - VENT           |
| 5           | 1          | G140          | CAP                        |
| 6           | 1          | G65           | PLUG 3/8" - NPT            |
| 7           | 4          | YBHH10132     | BOLT, 5/16" X 5/8"         |
| 8           | 1          | G145          | 3/8" PLUG                  |
| 9           | 4          | G130          | SNAP RING                  |
| 10          | 4          | G128          | BEARING CUP #25520         |
| 11          | 4          | G129          | BEARING #25581             |
| 12          | 1          | G132          | 2" STAKE NUT               |
| 13          | 2          | G147          | BEVEL GEAR                 |
| 14          | 1          | G136          | SEAL - OUTPUT              |
| 15          | 1          | 56N132        | OUTPUT SHAFT               |
| 16          | 2          | G61           | "E" 1210 WOODRUFF KEY      |
| 17          | 1          | G133          | 1-3/4" STAKE NUT           |
| 18          | 1          | G137          | SEAL - INPUT               |
| 19          | 1          | 56N133        | INPUT SHAFT                |
| 20          | 2          | G139          | KEY 3/8" x 1-1/2" HARDENED |
| *           | 1          | 56N54         | COMPLETE GEARBOX           |

**NOTE: \* MEANS NOT SHOWN**

**FIGURE 20**  
**LIGHTING**



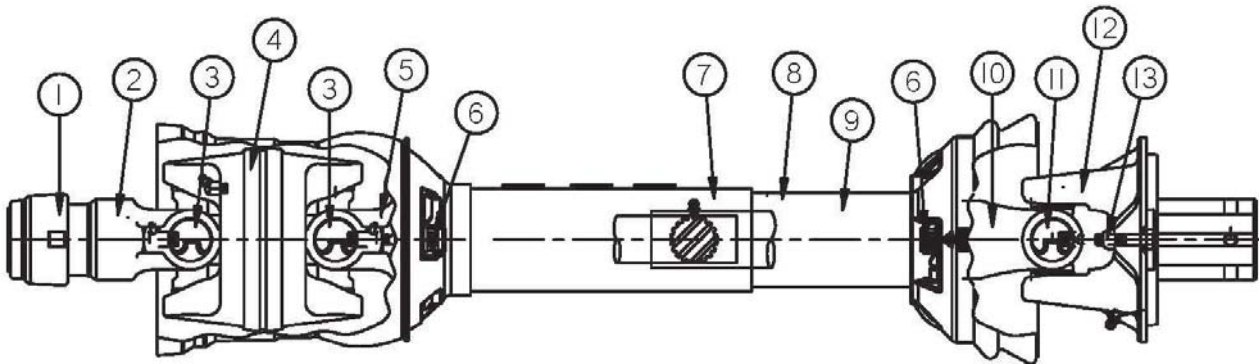
## FIGURE 20

### LIGHTING

| <u>ITEM</u> | <u>QTY</u> | <u>PART #</u> | <u>DESCRIPTION</u>                               |
|-------------|------------|---------------|--|
| 1           | 2          | S309          | YELLOW HAZARD LIGHT                              |
| 2           | 2          | S310          | RED TAIL LIGHT                                   |
| 3           | 4          | S308          | RUBBER LIGHT GROMMET                             |
| 4           | 1          | 56N155        | TAIL LIGHT LOOM                                  |
| 5           | 1          | 69908         | MODULE, CONTROL, BLINKER                         |
| 6           | 1          | 56N154        | FLASHER MODULE LOOM                              |
| 7           | 3          | YSMS6400      | SHEET METAL SCREW, HEX HEAD-SLOTTED, ZINC PLATED |

# FIGURE 21

## PTO 1000RPM 1-3/8"



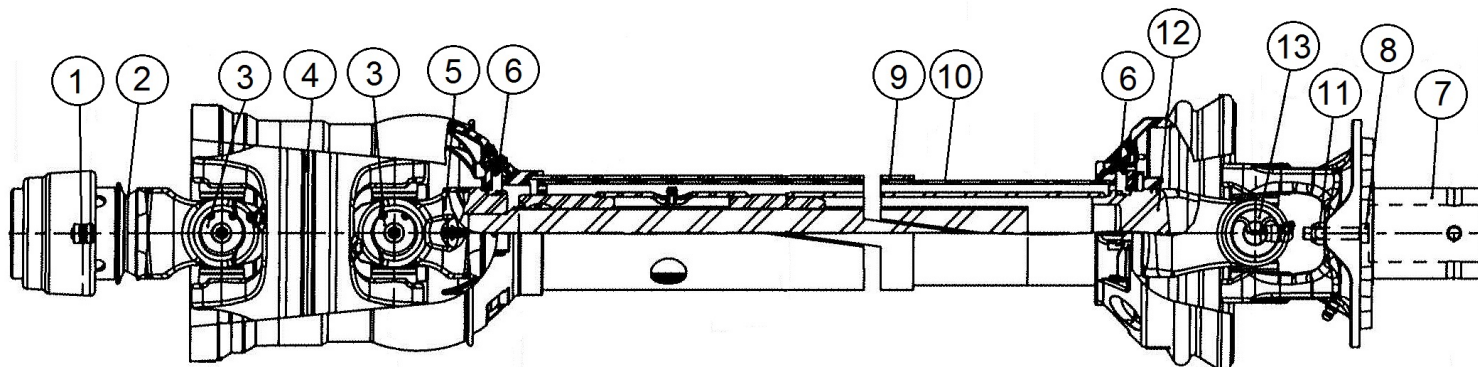
| <u>ITEM</u> | <u>1000 RPM 1-3/8"</u> | <u>DESCRIPTION</u>                |
|-------------|------------------------|-----------------------------------|
| 1           | 16SV274                | SAFETY SLIDE LOCK REPAIR KIT      |
| 2           | 16SV277                | SAFETY SLIDE LOCK YOKE ASSEMBLY   |
| 3           | 16SV279                | CROSS KIT                         |
| 4           | 16SV382                | CENTER HOUSING                    |
| 5           | 16SV282                | YOKE & SHAFT                      |
| 6           | 16SV383                | NYLON REPAIR KIT                  |
| 7           | 16SV386                | OUTER GUARD                       |
| 8           | 16SV387                | INNER GUARD                       |
| 9           | 16SV388                | SAFETY SIGN (NOT SHOWN)           |
| 10          | 16SV287                | YOKE, TUBE AND SLIP SLEEVE        |
| 11          | 16SV179                | 35R CROSS & BEARING KIT           |
| 12          | 16SV288                | BALL SHEAR ASSEMBLY               |
| 13          | YNNY10005              | LOCK NUT 5/16"-18                 |
| *           | YBHH10025              | BOLT 5/16"-18 X 1.5" GR.2         |
| *           | 16SV390                | JOINT & SHAFT HALF ASSM. W/ GUARD |
| *           | 16SV393                | JOINT & SHAFT HALF ASSM.          |
| *           | 16SV396                | JOINT & TUBE HALF ASSM. W/ GUARD  |
| *           | 16SV300                | JOINT & TUBE HALF ASSM.           |
| *           | 16SV344A               | COMPLETE PTO                      |
| *           | S402                   | PTO SAFETY MANUAL                 |

**NOTE: \* MEANS NOT SHOWN**



## FIGURE 22

### PTO 1000RPM 1-3/4" (OPTIONAL)



| <b>ITEM</b> | <b>1000 RPM 1-3/4"</b> | <b>DESCRIPTION</b>                |
|-------------|------------------------|-----------------------------------|
| 1           | 16SV275                | SAFETY SLIDE LOCK REPAIR KIT      |
| 2           | 59837                  | SAFETY SLIDE LOCK YOKE ASSEMBLY   |
| 3           | 59814                  | CROSS KIT                         |
| 4           | 59815                  | CENTER HOUSING                    |
| 5           | 59816                  | YOKE & SHAFT                      |
| 6           | 16SV383                | GUARD REPAIR KIT                  |
| 7           | YNNY10005              | HEX NUT, NYLON LOCKNUT, 5/16-18   |
| 8           | YBHH10025              | BOLT, 5/16 X 1-1/2 GR 2           |
| 9           | 59828                  | OUTER GUARD                       |
| 10          | 59818                  | INNER GUARD                       |
| 11          | 16SV288                | BALL SHEAR ASSEMBLY               |
| 12          | 59819                  | YOKE, TUBE & SLIP SLEEVE          |
| 13          | 16SV179                | 35R CROSS & BEARING KIT           |
| *           | 59830                  | JOINT & SHAFT HALF ASSM. W/ GUARD |
| *           | 59831                  | JOINT & SHAFT HALF ASSM.          |
| *           | 59839                  | JOINT & TUBE HALF ASSM. W/ GUARD  |
| *           | 59840                  | JOINT & TUBE HALF ASSM. COMPLETE  |
| *           | 57755                  | PTO                               |
| *           | S402                   | PTO SAFETY MANUAL                 |

**NOTE: \* MEANS NOT SHOWN**





**H&S MFG. CO.**

products approved

for the

**FEMA**

**SEAL OF QUALITY**

